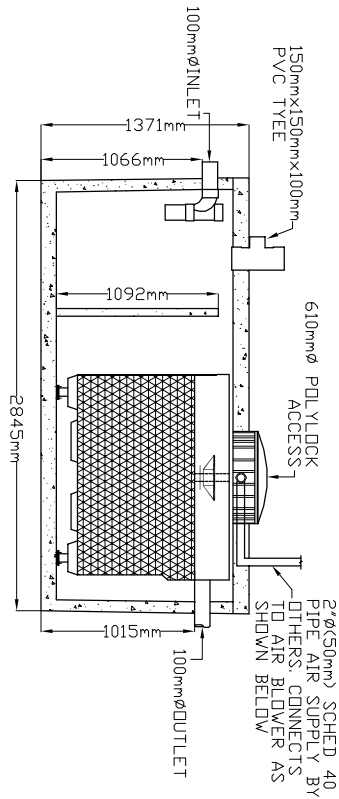
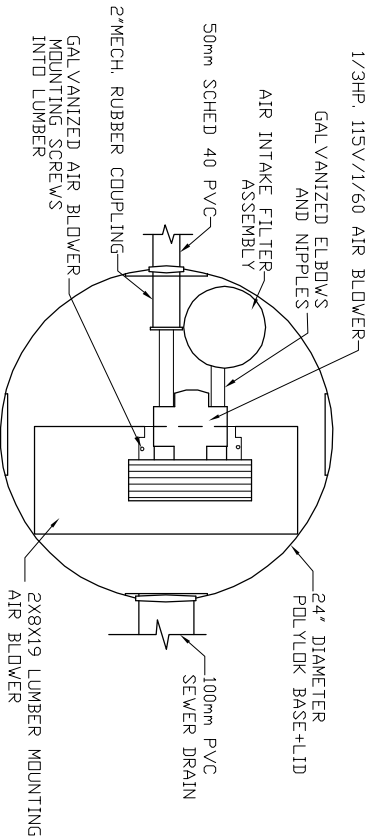


LID TOP VIEW

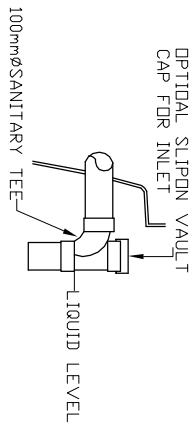
AIR BLOWER INGROUND VAULT



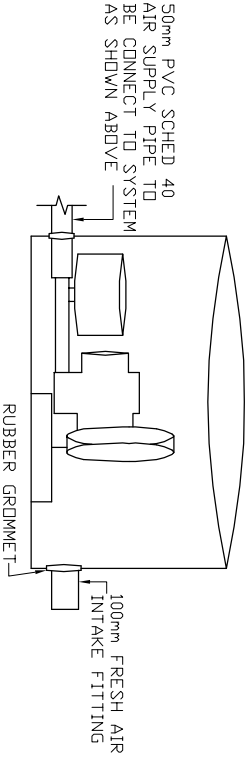
SIDE VIEW



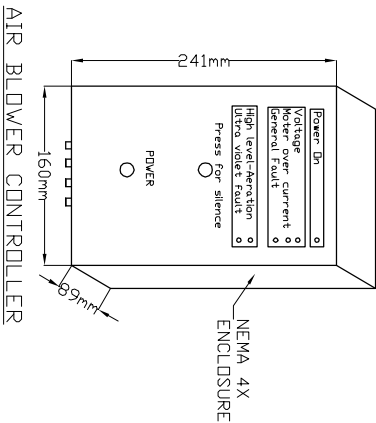
TOP VIEW
N.T.S.



INLET DETAIL
N.T.S.



ELEVATION VIEW
N.T.S.



AIR BLOWER CONTROLLER
N.T.S.

<p>MicroFAST® 0.75 TANK MANUFACTURED BY SOUTH OKANAGAN CON. PRODUCTS LTD. SYSTEM IS DELIVERED FACTORY PRE-ASSEMBLED 1. CONCRETE TANK MANUFACTURER'S MODEL ND1-000-1PC-2CH REFER TO MANUFACTURERS SPECIFICATION FOR TANK AND BURIAL INSTALLATION GUIDELINES 2. OPERATING CONDITION 2841 LITRES (750 us gals) (625 imp gals) PER DAY OF DOMESTIC RESIDENTIAL SEWAGE INFLUENT 3. INFLUENT BOD = 250 mg/l TSS = 250 mg/l FATS, OIL GREASES = 35 mg/l 4. EFFLUENT (capabilities) BOD = 10 mg/l TSS = 10 mg/l TOTAL NITROGEN = 70% Reduction 5. VOLUMETRIC CAPACITY TWO CHAMBER = 4,546 L 6. DRY SHIPPING WEIGHT 3,402 KG 7. BURIAL DEPTH MAXIMUM EARTH COVER (AND CLAY) 610mm 8. FOR INSTALLATION, REFER TO CSA B66, BC SEWERAGE SYSTEM STANDARD PRACTICE MANUAL AND INSTALLATION GUIDELINES PUBLISHED BY PINNACLE ENVIRONMENTAL TECHNOLOGIES INC. 9. DIMENSIONS in mm. 10. INLET AND OUTLET ACCEPT 100mm S/D COUPLING 11. EXTENSION FOR SERVICE ACCESS HATCHES AVAILABLE ON REQUEST. 12. MAXIMUM EARTH COVER AS MEASURED FROM TANK TOP CENTRE LINE (NOT INCLUDING RISERS) IS 610mm. 13. FOR HIGH WATER TABLE INSTALLATION CONTACT PINNACLE PRIOR TO ORDERING. 14. FOR VEHICLE TRAFFIC CONTACT PINNACLE PRIOR TO ORDERING.</p>	
---	--

Drawing No:	SOC MCF 0.75-2-01	Project Title/Description MicroFAST 0.75	Pinnacle Environmental Technologies Inc. Mailing Add: 22867-FraserHwy, P.O. Box 12112 Langley, BC Langley, BC V3A 9J Ph: 604-514-7555 Fax: 604-514-7595 Email: info@peti.ca WebSite: www.peti.ca		
Revision No:	0				
Sheet No:	1 of 1				
Drawn By:	S.Mann	Scale:	1:50	Date:	12.Oct.2011