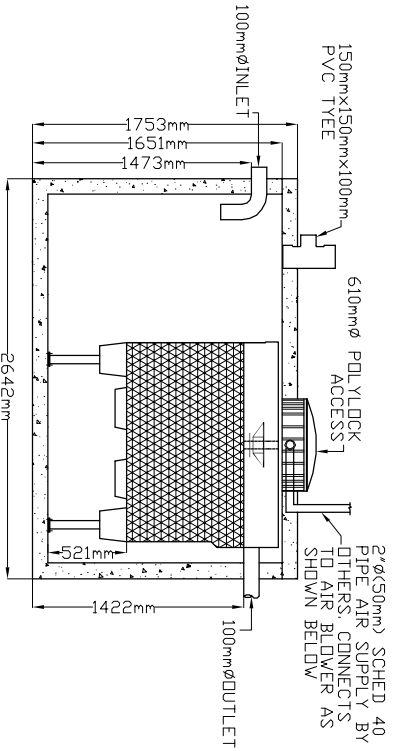
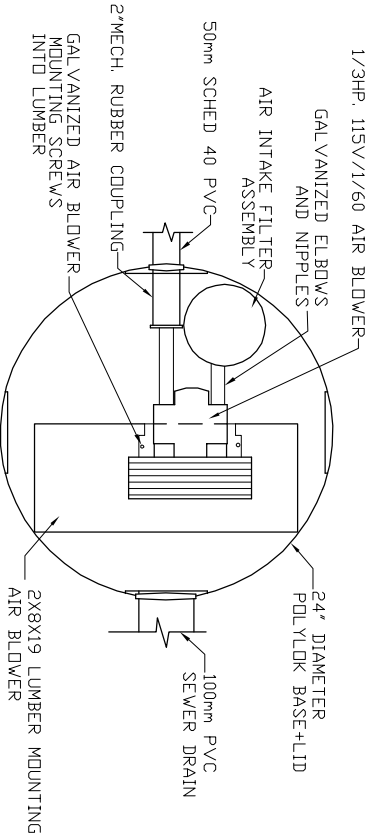


LID TOP VIEW

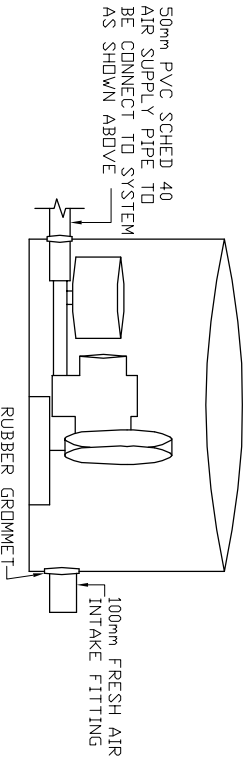
AIR BLOWER INGROUND VAULT



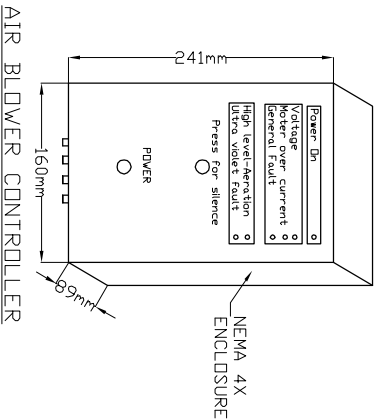
SIDE VIEW



TOP VIEW  
N.T.S



ELEVATION VIEW  
N.T.S




N.T.S

AIR BLOWER CONTROLLER  
N.T.S

- MicroFAST®0.75**  
TANK MANUFACTURED BY  
SOUTH OKANAGAN CON. PRODUCTS LTD.  
SYSTEM IS DELIVERED FACTORY  
PRE-ASSEMBLED
- CONCRETE TANK MANUFACTURER'S MODEL NO: 850-1PC-1CH REFER TO MANUFACTURER'S SPECIFICATION FOR TANK AND BURIAL INSTALLATION GUIDELINES
  - OPERATING CONDITION  
2,841 LITRES (750 us gals) (625 imp gals) PER DAY OF DOMESTIC RESIDENTIAL SEWAGE
  - TANK COLLECTION TANK SHALL BE A MINIMUM OF 1/2 AND A MAXIMUM OF 1.5 TIMES THE DAILY DESIGN FLOW AND PROVIDED BY OTHERS.
  - INFLUENT
 

BOD	= 250 mg/l
TSS	= 250 mg/l
FATS, OIL GREASES	= 35 mg/l
  - EFFLUENT (capabilities)
 

BOD	= 10 mg/l
TSS	= 10 mg/l
TOTAL NITROGEN	= 70% Reduction
  - VOLUMETRIC CAPACITY  
SINGLE CHAMBER = 3,864 L
  - DRY SHIPPING WEIGHT  
2,495 kg
  - BURIAL DEPTH  
MAXIMUM EARTH COVER (ND CLAY) 610mm
  - FOR INSTALLATION, REFER TO CSA B66, BC SEWERAGE SYSTEM STANDARD PRACTICE MANUAL AND INSTALLATION GUIDELINES PUBLISHED BY PINNACLE ENVIRONMENTAL TECHNOLOGIES INC.
  - DIMENSIONS in mm.
  - INLET AND OUTLET ACCEPT 100mm S/D COUPLING
  - EXTENSION FOR SERVICE ACCESS HATCHES AVAILABLE ON REQUEST.
  - MAXIMUM EARTH COVER AS MEASURED FROM TANK TOP CENTRE LINE (NOT INCLUDING RISERS) IS 610mm.
  - FOR HIGH WATER TABLE INSTALLATION CONTACT PINNACLE PRIOR TO ORDERING.
  - FOR VEHICLE TRAFFIC CONTACT PINNACLE PRIOR TO ORDERING.

Drawing No:	SOC MFC 0.75-1-01	Date: 12.Oct.2011	Project Title/Description	MicroFAST®0.75	 <p>Pinnacle Environmental Technologies Inc. Mailing Add: Location: P.O. Box 12112 22867-FraserHwy, Langley, BC, V3A 9J Langley, BC Ph: 604-514-7555 Fax: 604-514-7595 Email: info@peti.ca WebSite: www.peti.ca</p>
Revision No:	0	Scale: 1:50	Drawn By: S.Mann		
Sheet No:	1 of 1				