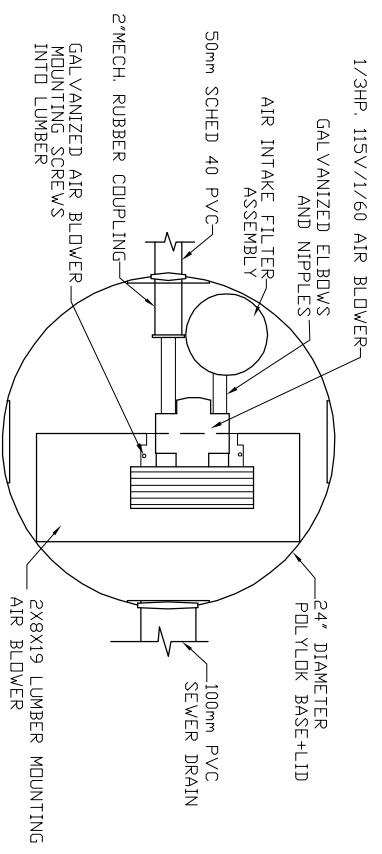
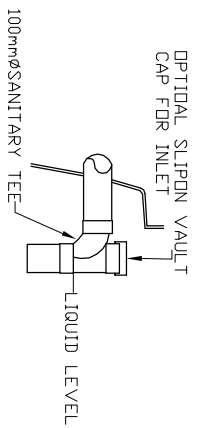


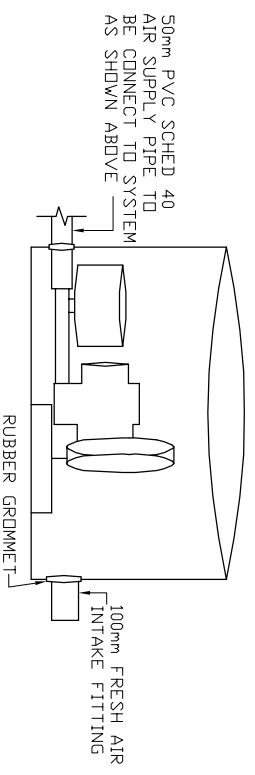
AIR BLOWER INGROUND VAULT



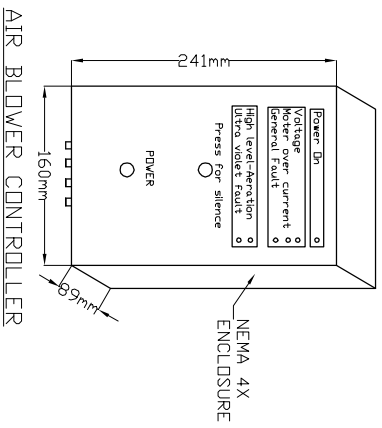
TOP VIEW
N.T.S.



INLET DETAIL
N.T.S.



ELEVATION VIEW
N.T.S.



AIR BLOWER CONTROLLER
N.T.S.

- MicroFAST® 0.5**
TANK MANUFACTURED BY SOUTH OKANAGAN CON. PRODUCTS LTD. SYSTEM IS DELIVERED FACTORY PRE-ASSEMBLED
- CONCRETE TANK MANUFACTURER'S MODEL NO. 1,000-1PG-2CH REFER TO MANUFACTURERS SPECIFICATION FOR TANK AND BURIAL INSTALLATION GUIDELINES
 - OPERATING CONDITION
1,900 LITRES (<500 us. gals) (416 imp gals) PER DAY OF DOMESTIC RESIDENTIAL SEWAGE
 - INFLUENT
BOD = 250 mg/l
TSS = 250 mg/l
FATS, OIL GREASES = 35 mg/l
 - EFFLUENT (capabilities)
BOD = 10 mg/l
TSS = 10 mg/l
TOTAL NITROGEN = 70% Reduction
 - VOLUMETRIC CAPACITY
TWO CHAMBER = 4,546 L
DRY SHIPPING WEIGHT = 2495 kg
 - BURIAL DEPTH
MAXIMUM EARTH COVER (ND CLAY) 610mm
 - FOR INSTALLATION, REFER TO CSA B66, BC SEWERAGE SYSTEM STANDARD PRACTICE MANUAL AND INSTALLATION GUIDELINES PUBLISHED BY PINNACLE ENVIRONMENTAL TECHNOLOGIES INC.
 - DIMENSIONS in mm.
 - INLET AND OUTLET ACCEPT 100mm S/D COUPLING
 - EXTENSION FOR SERVICE ACCESS HATCHES AVAILABLE ON REQUEST.
 - MAXIMUM EARTH COVER AS MEASURED FROM TANK TOP CENTRE LINE (NOT INCLUDING RISERS) IS 610mm.
 - FOR HIGH WATER TABLE INSTALLATION CONTACT PINNACLE PRIOR TO ORDERING.
 - FOR VEHICLE TRAFFIC CONTACT PINNACLE PRIOR TO ORDERING.

Drawing No:	SOC MCF 0.5-2-01	Date: 12, Oct, 2011	Scale: 1:50	Drawn By: S. Mann	Project Title/Description MicroFAST 0.5	Pinnacle Environmental Technologies Inc. Mailing Add: Location: P.O. Box 12112 22867-FraserHwy, Langley, BC, V3A 9J Langley, BC Ph: 604-514-7555 Fax: 604-514-7595 Email: info@peti.ca WebSite: www.peti.ca	
Revision No:	0						
Sheet No:	1 of 1						