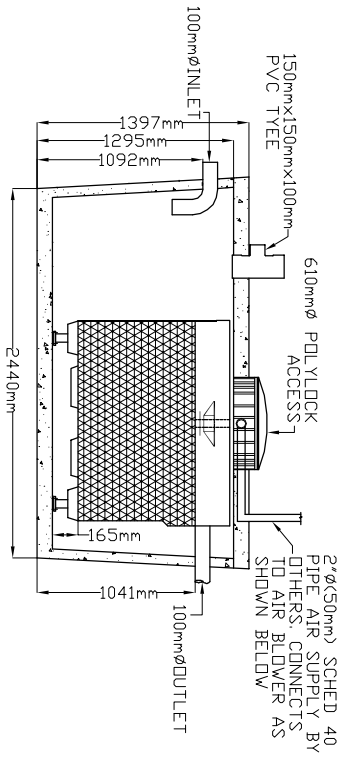
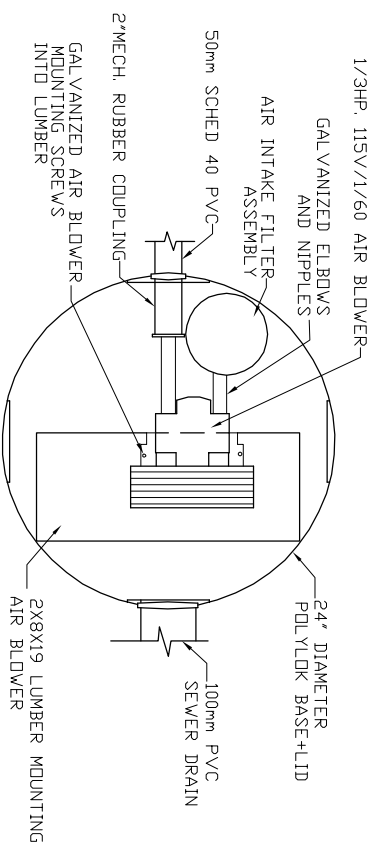


LID TOP VIEW

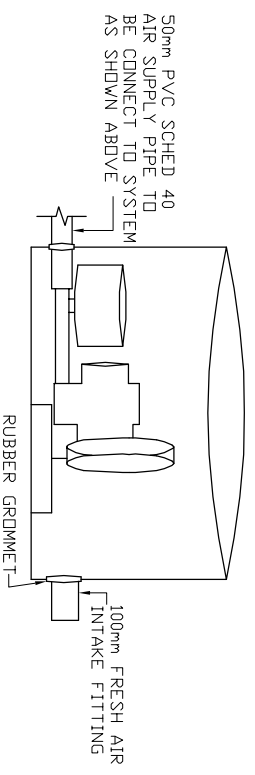


SIDE VIEW

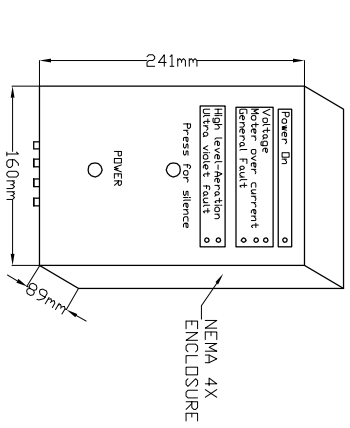
AIR BLOWER INGROUND VAULT



TOP VIEW
N.T.S.



ELEVATION VIEW
N.T.S.



AIR BLOWER CONTROLLER
N.T.S.

- MicroFAST® 0.5**
TANK MANUFACTURED BY SOUTH OKANAGAN CON. PRODUCTS LTD. SYSTEM IS DELIVERED FACTORY PRE-ASSEMBLED
- CONCRETE TANK MANUFACTURER'S MODEL NO. 600-IPC-10H REFER TO MANUFACTURER'S SPECIFICATION FOR TANK AND BURIAL INSTALLATION GUIDELINES
 - OPERATING CONDITION
1900 LITRES (500 us gals) (416 imp gals) PER DAY OF DOMESTIC RESIDENTIAL SEWAGE TRASH COLLECTION TANK
 - SHALL BE A MINIMUM OF 1/2 AND A MAXIMUM OF 1.5 TIMES THE DAILY DESIGN FLOW AND PROVIDED BY OTHERS.
 - INFLUENT
BOD = 250 mg/l
TSS = 250 mg/l
FATS, OIL GREASES = 35 mg/l
 - EFFLUENT (capabilities)
BOD = 10 mg/l
TSS = 10 mg/l
TOTAL NITROGEN = 70% Reduction
 - VOLUMETRIC CAPACITY SINGLE CHAMBER = 2,727 L
 - DRY SHIPPING WEIGHT = 2,495 KG
 - BURIAL DEPTH
MAXIMUM EARTH COVER (NO CLAY) 610mm
 - FOR INSTALLATION, REFER TO CSA B66, BC SEWERAGE SYSTEM STANDARD PRACTICE MANUAL AND INSTALLATION GUIDELINES PUBLISHED BY PINNACLE ENVIRONMENTAL TECHNOLOGIES INC.
 - DIMENSIONS in mm.
 - INLET AND OUTLET ACCEPT 100mm S/D COUPLING
 - EXTENSION FOR SERVICE ACCESS
 - HATCHES AVAILABLE ON REQUEST.
 - MAXIMUM EARTH COVER AS MEASURED FROM TANK TOP CENTRE LINE (NOT INCLUDING RISERS) IS 610mm.
 - FOR HIGH WATER TABLE INSTALLATION CONTACT PINNACLE PRIOR TO ORDERING.
 - FOR VEHICLE TRAFFIC CONTACT PINNACLE PRIOR TO ORDERING.



Pinnacle Environmental Technologies Inc.
Mailing Add: 22867-FraserHwy, Langley, BC V3A 9J
Location: 22867-FraserHwy, Langley, BC
Ph: 604-514-7555 Fax: 604-514-7595
Email: info@peti.ca
WebSite: www.peti.ca

Project Title/Description
MicroFAST® 0.5

Drawn By: S. Mann
Scale: 1:50

Date: 12.Oct.2011

Drawing No:	SOC MCF 0.5-1-01
Revision No:	0
Sheet No:	1 of 1