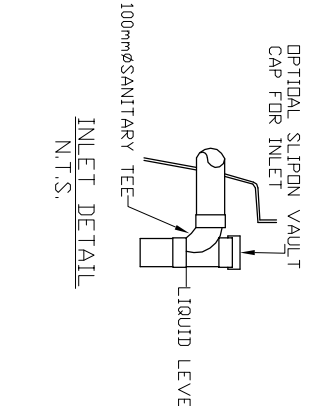
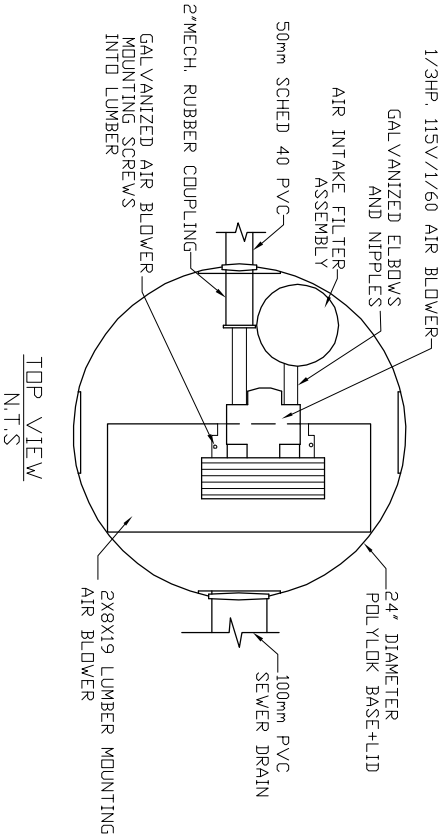
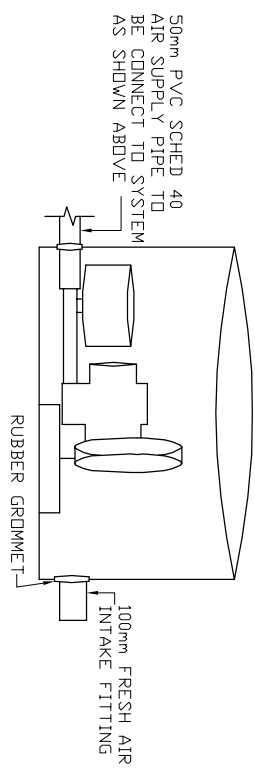


AIR BLOWER INGROUND VAULT

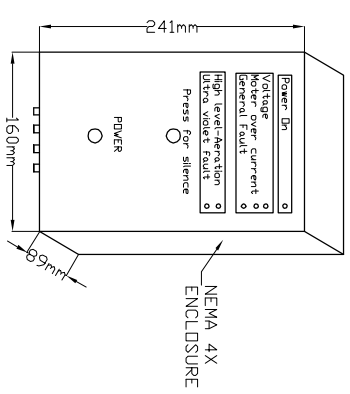


TOP VIEW
N.T.S.

INLET DETAIL
N.T.S.



ELEVATION VIEW
N.T.S.



AIR BLOWER CONTROLLER
N.T.S.

- MicroFAST® 0.375
TANK MANUFACTURED BY SOUTH OKANAGAN CON. PRODUCTS LTD. SYSTEM IS DELIVERED FACTORY PRE-ASSEMBLED
- CONDRETE TANK MANUFACTURER'S MODEL ND-600-1PC-2CH REFER TO MANUFACTURERS SPECIFICATION FOR TANK AND BURIAL INSTALLATION GUIDELINES
 - OPERATING CONDITION
1,420 LITRES (375 us gals) (312 imp gals) PER DAY OF DOMESTIC RESIDENTIAL SEWAGE
 - INFLUENT
BOD = 250 mg/l
TSS = 250 mg/l
FATS, OIL GREASES = 35 mg/l
 - EFFLUENT (capabilities)
BOD = 10 mg/l
TSS = 10 mg/l
TOTAL NITROGEN = 70% Reduction
 - VOLUMETRIC CAPACITY
TWO CHAMBERS = 2,728 L
 - DRY SHIPPING WEIGHT = 2,495 KG
 - BURIAL DEPTH
MAXIMUM EARTH COVER (ND CLAY) 610mm
 - FOR INSTALLATION, REFER TO CSA B66, BC SEWERAGE SYSTEM STANDARD PRACTICE MANUAL AND INSTALLATION GUIDELINES PUBLISHED BY PINNACLE ENVIRONMENTAL TECHNOLOGIES INC.
 - DIMENSIONS in mm.
 - INLET AND OUTLET ACCEPT 100mm S/D COUPLING
 - EXTENSION FOR SERVICE ACCESS HATCHES AVAILABLE ON REQUEST.
 - MAXIMUM EARTH COVER AS MEASURED FROM TANK TOP CENTRE LINE (NOT INCLUDING RISERS) IS 610mm.
 - FOR HIGH WATER TABLE INSTALLATION CONTACT PINNACLE PRIOR TO ORDERING.
 - FOR VEHICLE TRAFFIC CONTACT PINNACLE PRIOR TO ORDERING.

Drawing No:	SOC MCF 0.375-2-01	Project Title/Description MicroFAST 0.375	Pinnacle Environmental Technologies Inc. Mailing Add: 22867-FraserHwy, P.O. Box 12112 Langley, BC Langley, BC V3A 9J Ph: 604-514-7555 Fax: 604-514-7595 Email: info@peti.ca WebSite: www.peti.ca	
Revision No:	0			
Sheet No:	1 of 1			
Date:	12.Oct.2011	Drawn By: S. Mann	Scale: 1:50	