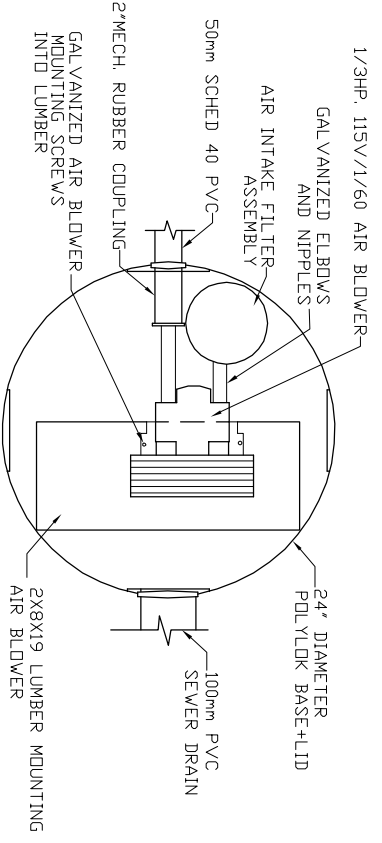
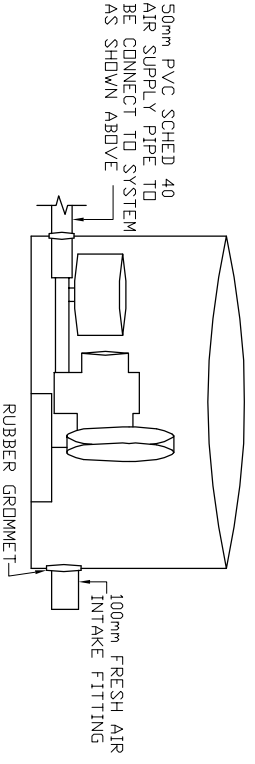


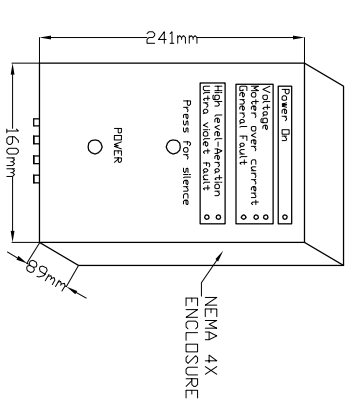
AIR BLOWER INGROUND VAULT



TOP VIEW
N.T.S.



ELEVATION VIEW
N.T.S.



AIR BLOWER CONTROLLER
N.T.S.

- MicroFAST® 0.375
TANK MANUFACTURED BY SOUTH OKANAGAN CON. PRODUCTS LTD. SYSTEM IS DELIVERED FACTORY PRE-ASSEMBLED
1. CONCRETE TANK MANUFACTURER'S MODEL NO: 600-IPC-1CH REFER TO MANUFACTURERS SPECIFICATION FOR TANK AND BURIAL INSTALLATION GUIDELINES
 2. OPERATING CONDITION 1420 LITRES (375 us gals) (312 imp gals) PER DAY OF DOMESTIC RESIDENTIAL SEWAGE
 3. TRASH COLLECTION TANK SHALL BE A MINIMUM OF 1/2 AND A MAXIMUM OF 1.5 TIMES THE DAILY DESIGN FLOW AND PROVIDED BY OTHERS.
 4. INFLUENT
BOD = 250 mg/l
TSS = 250 mg/l
FATS, OIL GREASES = 35 mg/l
 5. EFFLUENT (capabilities)
BOD = 10 mg/l
TSS = 10 mg/l
TOTAL NITROGEN = 70% Reduction
 6. VOLUMETRIC CAPACITY SINGLE CHAMBER = 2,727 L
 7. DRY SHIPPING WEIGHT = 2,495 kg
 8. BURIAL DEPTH MAXIMUM EARTH COVER (AND CLAY) 610mm
 9. FOR INSTALLATION, REFER TO CSA B66, BC SEWERAGE SYSTEM STANDARD PRACTICE MANUAL AND INSTALLATION GUIDELINES PUBLISHED BY PINNACLE ENVIRONMENTAL TECHNOLOGIES INC.
 10. DIMENSIONS in mm.
 11. INLET AND OUTLET ACCEPT 100mm S/D COUPLING
 12. EXTENSION FOR SERVICE ACCESS HATCHES AVAILABLE ON REQUEST.
 13. MAXIMUM EARTH COVER AS MEASURED FROM TANK TOP CENTRE LINE (NOT INCLUDING RISERS) IS 610mm.
 14. FOR HIGH WATER TABLE INSTALLATION CONTACT PINNACLE PRIOR TO ORDERING.
 15. FOR VEHICLE TRAFFIC CONTACT PINNACLE PRIOR TO ORDERING.



Pinnacle Environmental Technologies Inc.
Mailing Add: 22867-FraserHwy, Langley, BC
Location: 22867-FraserHwy, Langley, BC
Ph: 604-514-7555 Fax: 604-514-7595
Email: info@peti.ca
WebSite: www.peti.ca

Project Title/Description

MicroFAST® 0.375

Drawn By: S. Mann

Scale: 1:50

Date: 12.Oct.2011

Drawing No:	SOC MCF 0.375-1-01
Revision No:	0
Sheet No:	1 of 1