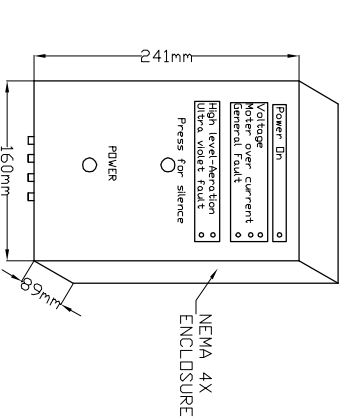
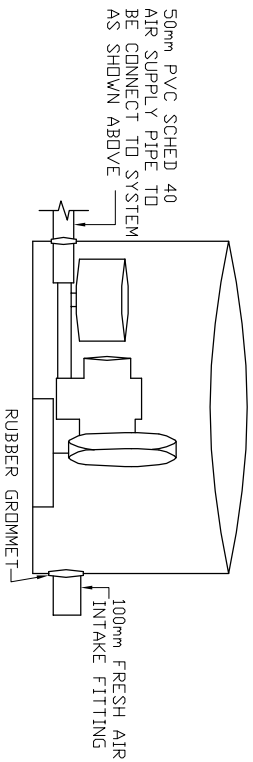
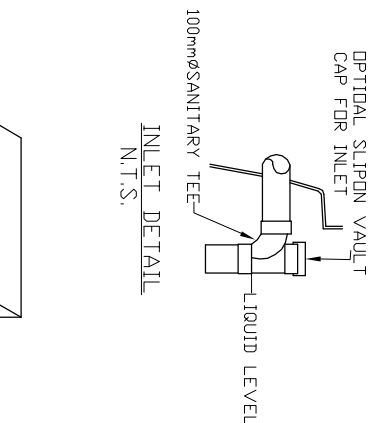
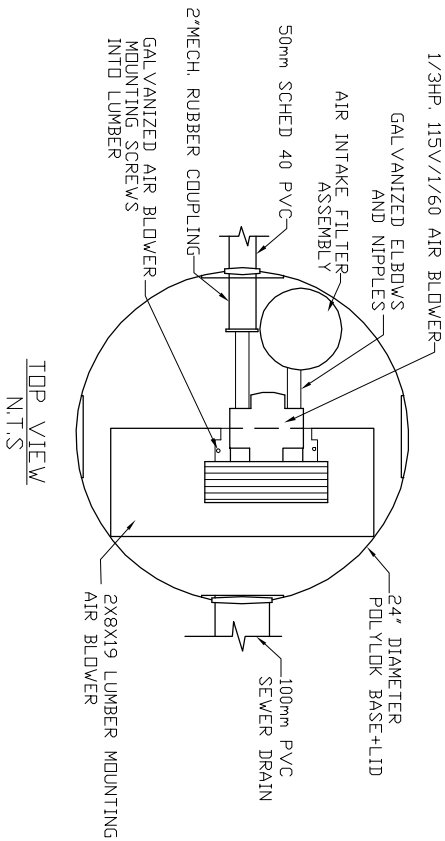


AIR BLOWER INGROUND VAULT



- MicroFAST®0.5**
TANK MANUFACTURED BY
MANDO PRECAST INC
- SYSTEM IS DELIVERED FACTORY PRE-ASSEMBLED
1. CONCRETE TANK MANUFACTURER'S MODEL NO: 1000-IP-2CH REFER TO MANUFACTURER'S SPECIFICATION FOR TANK AND BURIAL INSTALLATION GUIDELINES
 2. OPERATING CONDITION
1,900 LITRES (500 us gals) (416 imp gals) PER DAY OF DOMESTIC RESIDENTIAL SEWAGE
 3. INFLUENT
BOD = 250 mg/l
TSS = 250 mg/l
FATS, OIL GREASES = 35 mg/l
 4. EFFLUENT (capabilities)
BOD = 10 mg/l
TSS = 10 mg/l
TOTAL NITROGEN = 70% Reduction
 5. VOLUMETRIC CAPACITY
1ST CHAMBER = 1,513 L
2ND CHAMBER = 3,033 L
 6. DRY SHIPPING WEIGHT = 4,166 kg
 7. BURIAL DEPTH
MAXIMUM EARTH COVER (ND CLAY) 610mm
 8. FOR INSTALLATION, REFER TO CSA B66, BC SEWERAGE SYSTEM STANDARD PRACTICE MANUAL AND INSTALLATION GUIDELINES PUBLISHED BY PINNACLE ENVIRONMENTAL TECHNOLOGIES INC.
 9. DIMENSIONS in mm.
 10. INLET AND OUTLET ACCEPT 100mm S/D COUPLING
 11. EXTENSION FOR SERVICE ACCESS HATCHES AVAILABLE ON REQUEST.
 12. MAXIMUM EARTH COVER AS MEASURED FROM TANK TOP CENTRE LINE (NOT INCLUDING RISERS) IS 610mm.
 13. FOR HIGH WATER TABLE INSTALLATION CONTACT PINNACLE PRIOR TO ORDERING.
 14. FOR VEHICLE TRAFFIC CONTACT PINNACLE PRIOR TO ORDERING.



Pinnacle Environmental Technologies Inc.
Mailing Add: Location:
P.O. Box 12112 22867-FraserHwy,
Langley, BC, V3A 9J Langley, BC
Ph: 604-514-7555 Fax: 604-514-7595
Email: info@peti.ca
WebSite: www.peti.ca

Project Title/Description

MicroFAST®0.5

Drawn By: S. Mann

Scale: 1:50

Date: 12.Oct.2011

Drawing No:

MSS 0500-2-01

Revision No:

0

Sheet No:

1 of 1