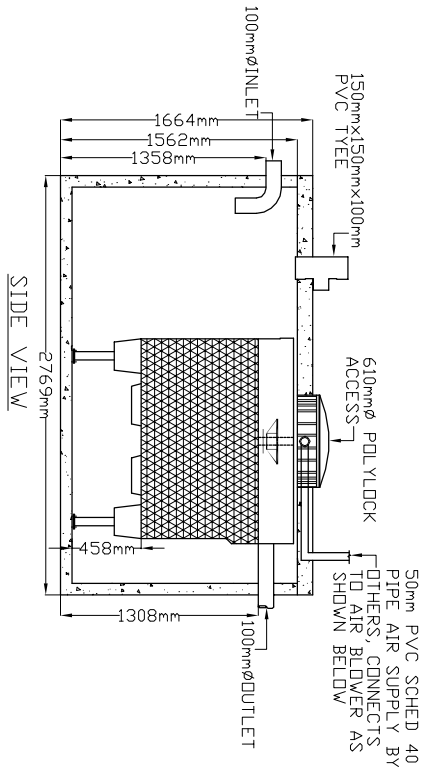
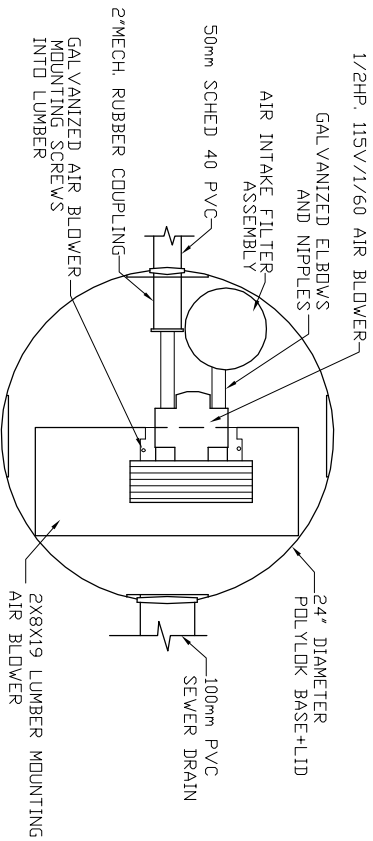


LID TOP VIEW

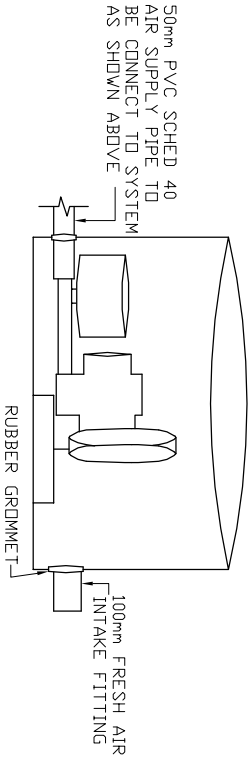


SIDE VIEW

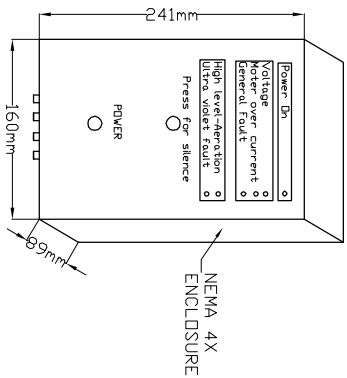
AIR BLOWER INGROUND VAULT



TOP VIEW
N.T.S

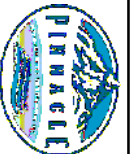


ELEVATION VIEW
N.T.S



AIR BLOWER CONTROLLER
N.T.S

- MicroFAST® 1.0
TANK MANUFACTURED BY
MANCO PRECAST INC.
SYSTEM IS DELIVERED FROM
PRE-ASSEMBLED
CONCRETE TANK MANUFACTURERS. MODEL
NO: 750-IPC-1CH
REFER TO MANUFACTURERS SPECIFICATION
FOR TANK AND BURIAL
INSTALLATION GUIDELINES
- OPERATING CONDITION
3,791 LITRES (1000 us gals)(X834 imp gals)
PER DAY OF DOMESTIC RESIDENTIAL SEWAGE
 - TRASH COLLECTION TANK
SHALL BE A MINIMUM OF 1/2 AND A MAXIMUM
OF 1.5 TIMES THE DAILY DESIGN FLOW AND
PROVIDED BY OTHERS.
 - INFLUENT
BOD = 250 mg/l
TSS = 250 mg/l
FATS, OIL GREASES = 35 mg/l
 - EFFLUENT (capabilities)
BOD = 10 mg/l
TSS = 10 mg/l
TOTAL NITROGEN = 70% Reduction
 - VOLUMETRIC CAPACITY
SINGLE CHAMBER = 3791 L
DRY SHIPPING WEIGHT = 3,518 kg
 - BURIAL DEPTH
MAXIMUM EARTH COVER (ND CLAY) 610mm
 - FOR INSTALLATION, REFER TO CSA B66,
BC SEWERAGE SYSTEM STANDARD
PRACTICE MANUAL AND INSTALLATION
GUIDELINES PUBLISHED BY PINNACLE
ENVIRONMENTAL TECHNOLOGIES INC.
 - DIMENSIONS in mm.
 - INLET AND OUTLET ACCEPT 100mm S/D
COUPLING
 - EXTENSION FOR SERVICE ACCESS
HATCHES AVAILABLE ON REQUEST.
 - MAXIMUM EARTH COVER AS MEASURED
FROM TANK TOP CENTRE LINE
(NOT INCLUDING RISERS) IS 610mm.
 - FOR HIGH WATER TABLE INSTALLATION
CONTACT PINNACLE PRIOR TO
ORDERING.
 - FOR VEHICLE TRAFFIC CONTACT PINNACLE
PRIOR TO ORDERING.



Pinnacle Environmental Technologies Inc.
Mailing Add: 22867-Fraser Hwy,
P.O. Box 12112 Langley, BC
Langley, BC, V3A 9J
Ph: 604-514-7555 Fx: 604-514-7595
Email: info@peti.ca
WebSite: www.peti.ca

Project Title/Description

MicroFAST 1.0

Drawn By: S. Mann

Scale: 1:50

Date: 12.Oct.2011

Drawing No:

MSS MCF 1.0-1-01

Revision No:

0

Sheet No:

1 of 1