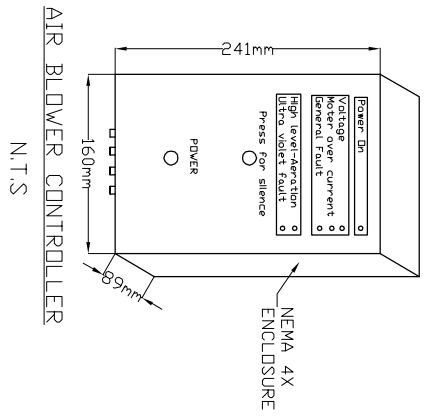
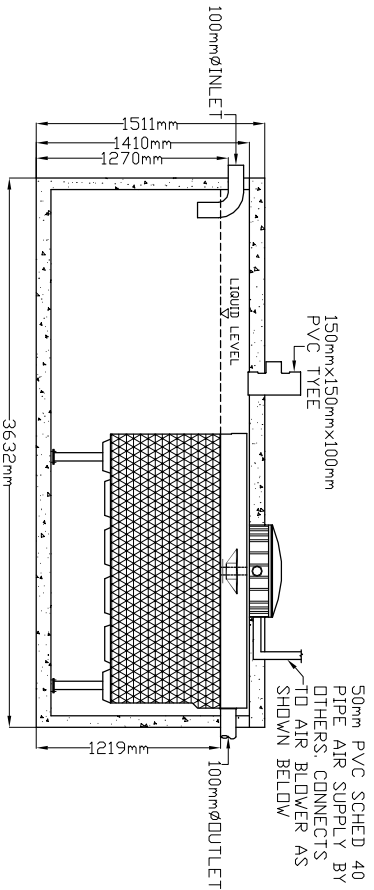


LID TOP VIEW

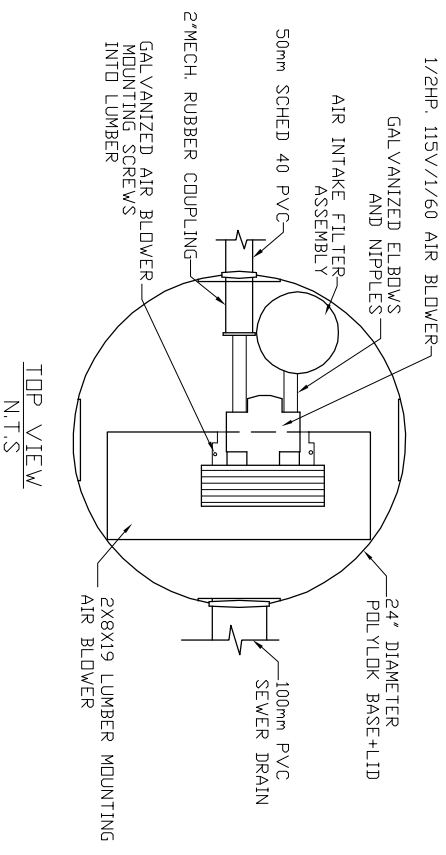


N.T.S.



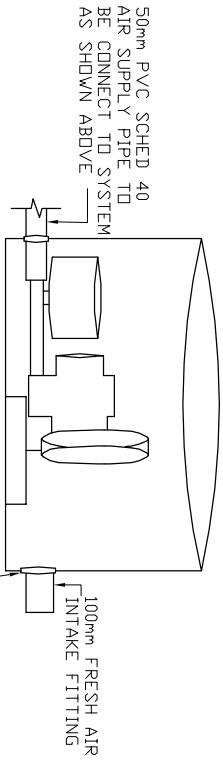
SIDE VIEW

AIR BLOWER INGROUND VAULT



TOP VIEW


N.T.S.



ELEVATION VIEW

N.T.S.

- MicroFAST®1.5**  
TANK MANUFACTURED BY  
HYLAND PRECAST INC.
- SYSTEM IS DELIVERED FACTORY  
PRE-ASSEMBLED
1. CONCRETE TANK MANUFACTURER'S MODEL NO: 1200-1PC-1CH REFER TO MANUFACTURERS SPECIFICATION FOR TANK AND BURIAL INSTALLATION GUIDELINES
  2. OPERATING CONDITION  
5,678 LITRES (1500 us gals) (1250 imp gals) PER DAY OF DOMESTIC RESIDENTIAL SEWAGE
  3. TRASH COLLECTION TANK  
SHALL BE A MINIMUM OF 1/2 AND A MAXIMUM OF 1.5 TIMES THE DAILY DESIGN FLOW AND PROVIDED BY OTHERS.
  4. INFLUENT  
BDD = 250 mg/l  
TSS = 250 mg/l  
FATS, OIL GREASES = 35 mg/l
  5. EFFLUENT (capabilities)  
BDD = 10 mg/l  
TSS = 10 mg/l  
TOTAL NITROGEN = 70% Reduction
  6. VOLUMETRIC CAPACITY  
SINGLE CHAMBER = 5,455 L
  7. DRY SHIPPING WEIGHT  
6,320 kg
  8. BURIAL DEPTH  
MAXIMUM EARTH COVER (ND CLAY) 610mm
  9. FOR INSTALLATION, REFER TO CSA B66, BC SEWERAGE SYSTEM STANDARD PRACTICE MANUAL AND INSTALLATION GUIDELINES PUBLISHED BY PINNACLE ENVIRONMENTAL TECHNOLOGIES INC.
  10. DIMENSIONS in mm.
  11. INLET AND OUTLET ACCEPT 100mm S/D COUPLING
  12. EXTENSION FOR SERVICE ACCESS HATCHES AVAILABLE ON REQUEST.
  13. MAXIMUM EARTH COVER AS MEASURED FROM TANK TOP CENTRE LINE (NOT INCLUDING RISERS) IS 610mm.
  14. FOR HIGH WATER TABLE INSTALLATION CONTACT PINNACLE PRIOR TO ORDERING.
  15. FOR VEHICLE TRAFFIC CONTACT PINNACLE PRIOR TO ORDERING.

Drawing No:	HPC MFC 1.5-1-01	Project Title/Description	Pinnacle Environmental Technologies Inc. Mailing Add: P.O. Box 12112 Langley, BC, V3A 9J1 Ph: 604-514-7555 Fx: 604-514-7595 Email: info@peti.ca WebSite: www.peti.ca
Revision No:	0		
Sheet No:	1 of 1	MicroFAST®1.5	
Date:	12.Oct.2011	Drawn By: S. Mann	
Scale:	1:50		