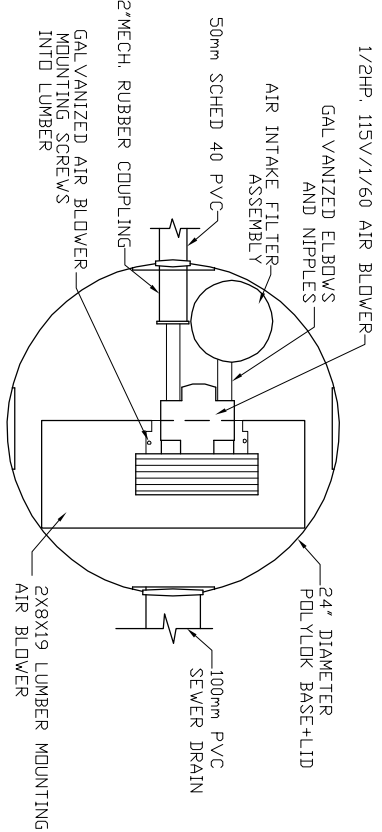
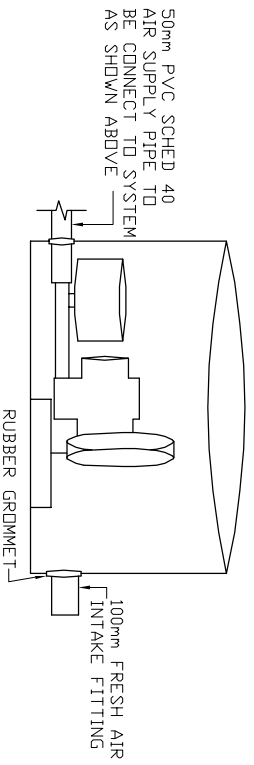


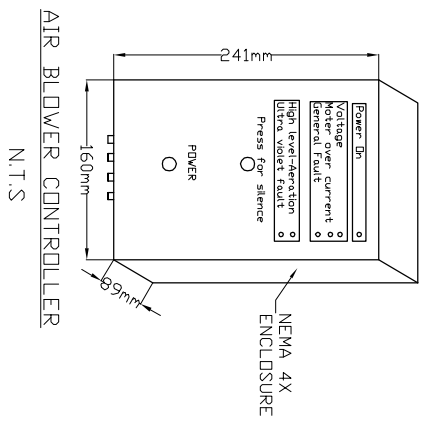
AIR BLOWER INGROUND VAULT



TOP VIEW
N.T.S.



ELEVATION VIEW
N.T.S.



MicroFAST®1.0
TANK MANUFACTURED BY
HYLAND PRECAST INC.
SYSTEM IS DELIVERED FACTORY
PRE-ASSEMBLED
1. CONCRETE TANK MANUFACTURER'S MODEL
NO: 1000-1PC-1CH
REFER TO MANUFACTURERS SPECIFICATION
FOR TANK AND BURIAL
INSTALLATION GUIDELINES
2. OPERATING CONDITION
3.791 LITRES (1000 us gals) (834 imp gals)
PER DAY OF DOMESTIC RESIDENTIAL SEWAGE
4. TRASH COLLECTION TANK
SHALL BE A MINIMUM OF 1/2 AND A MAXIMUM
OF 1.5 TIMES THE DAILY DESIGN FLOW AND
PROVIDED BY OTHERS.
4. INFLUENT
BOD = 250 mg/l
TSS = 250 mg/l
FATS, OIL GREASES = 35 mg/l
5. EFFLUENT (capabilities)
BOD = 10 mg/l
TSS = 10 mg/l
TOTAL NITROGEN = 70% Reduction
6. VOLUMETRIC CAPACITY
SINGLE CHAMBER = 4,546 L
7. DRY SHIPPING WEIGHT
5,350 kg
8. BURIAL DEPTH
MAXIMUM EARTH COVER (ND CLAY) 610mm
9. FOR INSTALLATION, REFER TO CSA B66,
BC SEWERAGE SYSTEM STANDARD
PRACTICE MANUAL AND INSTALLATION
GUIDELINES PUBLISHED BY PINNACLE
ENVIRONMENTAL TECHNOLOGIES INC.
10. DIMENSIONS in mm.
11. INLET AND OUTLET ACCEPT 100mm S/D
COUPLING
12. EXTENSION FOR SERVICE ACCESS
HATCHES AVAILABLE ON REQUEST.
13. MAXIMUM EARTH COVER AS MEASURED
FROM TANK TOP CENTRE LINE
(NOT INCLUDING RISERS) IS 610mm.
14. FOR HIGH WATER TABLE INSTALLATION
CONTACT PINNACLE PRIOR TO
ORDERING.
15. FOR VEHICLE TRAFFIC CONTACT PINNACLE
PRIOR TO ORDERING.



Pinnacle Environmental Technologies Inc.
Mailing Add: 22867-Fraser Hwy,
P.O. Box 12112 Langley, BC
Langley, BC, V3A 9J1
Ph: 604-514-7555 Fax: 604-514-7595
Email: info@peti.ca
WebSite: www.peti.ca

Drawing No:	HPC MFC 1.0-1-01	Project Title/Description	MicroFAST®1.0
Revision No:	0		
Sheet No:	1 of 1	Drawn By: S. Mann	Scale: 1:50
Date: 12.Oct.2011			