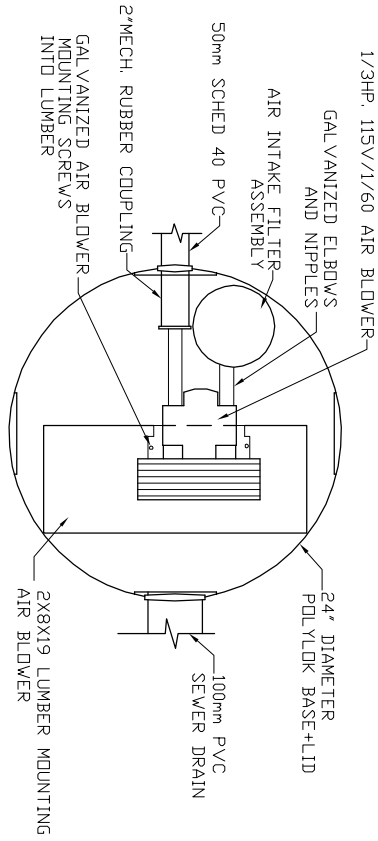
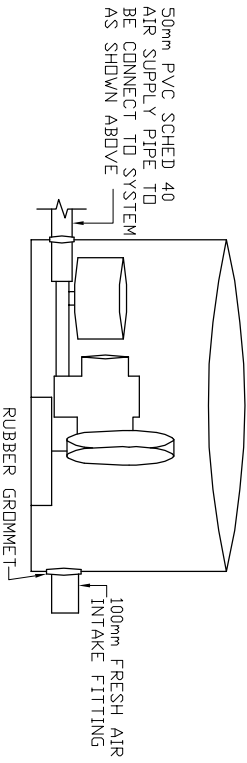


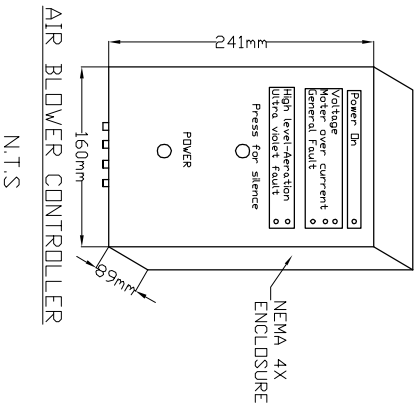
AIR BLOWER INGROUND VAULT



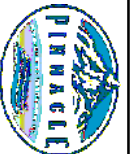
TOP VIEW  
N.T.S.



ELEVATION VIEW  
N.T.S.



- MicroFAST® 0.9  
TANK MANUFACTURED BY  
HYLAND PRECAST INC.  
SYSTEM IS DELIVERED FACTORY  
PRE-ASSEMBLED  
1. CONCRETE TANK MANUFACTURERS MODEL  
NO: 1000-IPC-1CH  
REFER TO MANUFACTURERS SPECIFICATION  
FOR TANK AND BURIAL  
INSTALLATION GUIDELINES  
2. OPERATING CONDITION  
3,407 LITRES (900 us gals) (750 imp gals)  
PER DAY OF DOMESTIC RESIDENTIAL SEWAGE  
3. TRASH COLLECTION TANK  
SHALL BE A MINIMUM OF 1/2 AND A MAXIMUM  
OF 1.5 TIMES THE DAILY DESIGN FLOW AND  
PROVIDED BY OTHERS.  
4. INFLUENT  
BOD = 250 mg/l  
TSS = 250 mg/l  
FATS, OIL GREASES = 35 mg/l  
5. EFFLUENT (capabilities)  
BOD = 10 mg/l  
TSS = 10 mg/l  
TOTAL NITROGEN = 70% Reduction  
6. VOLUMETRIC CAPACITY  
SINGLE CHAMBER = 4,546 L  
7. DRY SHIPPING WEIGHT  
5,350 kg  
8. BURIAL DEPTH  
MAXIMUM EARTH COVER (ND CLAY) 610mm  
9. FOR INSTALLATION, REFER TO CSA B66,  
BC SEWERAGE SYSTEM STANDARD  
PRACTICE MANUAL AND INSTALLATION  
GUIDELINES PUBLISHED BY PINNACLE  
ENVIRONMENTAL TECHNOLOGIES INC.  
10. DIMENSIONS in mm.  
11. INLET AND OUTLET ACCEPT 100mm S/D  
COUPLING  
12. EXTENSION FOR SERVICE ACCESS  
HATCHES AVAILABLE ON REQUEST.  
13. MAXIMUM EARTH COVER AS MEASURED  
FROM TANK TOP CENTRE LINE  
(NOT INCLUDING RISERS) IS 610mm.  
14. FOR HIGH WATER TABLE INSTALLATION  
CONTACT PINNACLE PRIOR TO  
ORDERING.  
15. FOR VEHICLE TRAFFIC CONTACT PINNACLE  
PRIOR TO ORDERING.



Pinnacle Environmental Technologies Inc.  
Mailing Add: Location:  
P.O. Box 12112 22867-FraserHwy,  
Langley, BC, V3A 9J1 Langley, BC  
Ph: 604-514-7555 Fax: 604-514-7595  
Email: info@peti.ca  
WebSite: www.peti.ca

Project Title/Description

MicroFAST® 0.9

Drawn By: S. Mann

Scale: 1:50

Date: 12.Oct.2011

Drawing No:

HPC MFC 0.9-1-01

Revision No:

0

Sheet No:

1 of 1