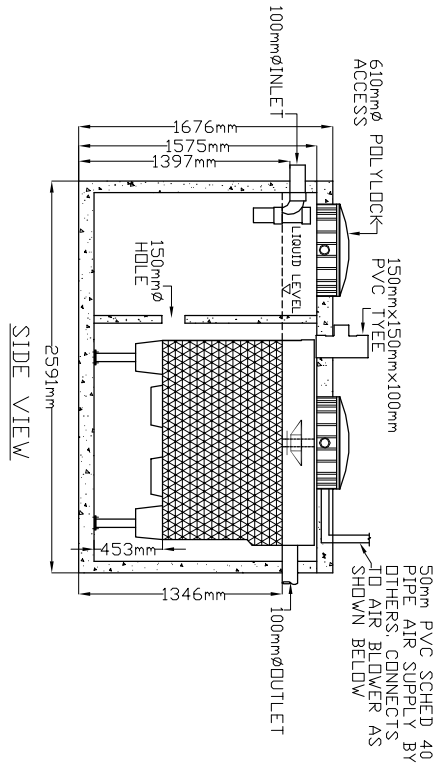
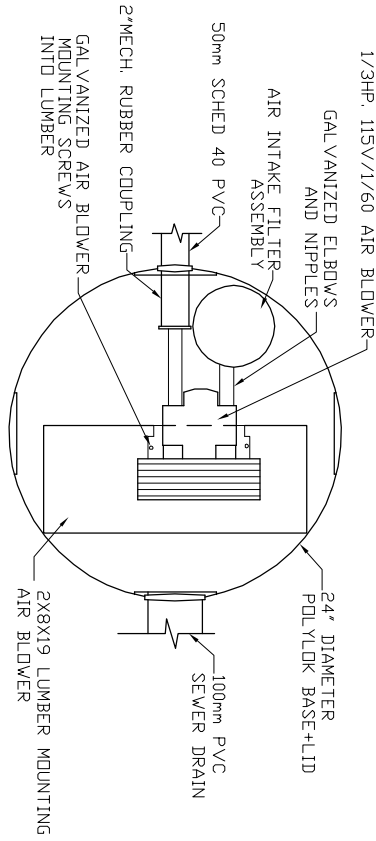


LID TOP VIEW

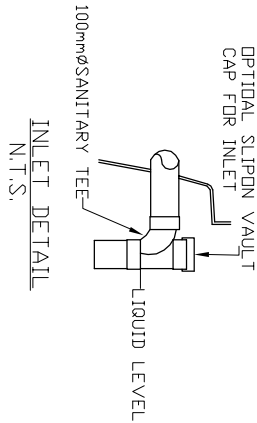
AIR BLOWER INGROUND VAULT



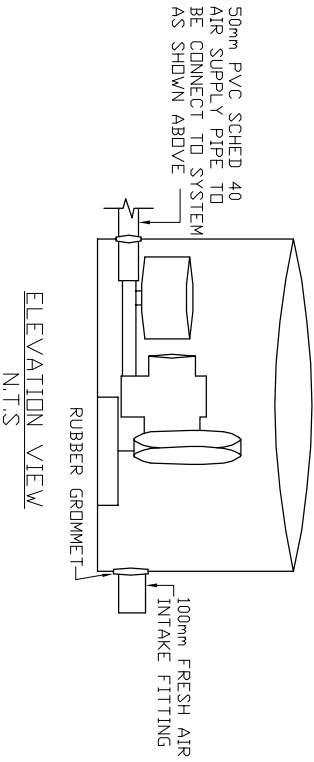
SIDE VIEW



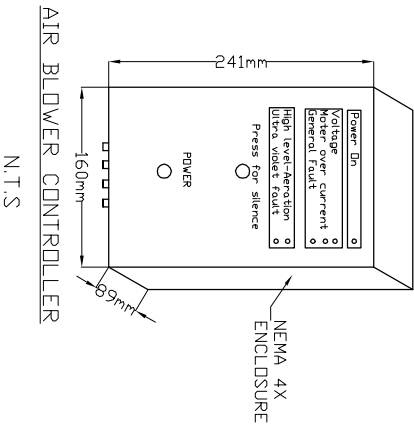
TOP VIEW  
N.T.S.



INLET DETAIL  
N.T.S.



ELEVATION VIEW  
N.T.S.



AIR BLOWER CONTROLLER  
N.T.S.

**MICROFAST®0.75**  
 TANK MANUFACTURED BY  
 HYLAND PRECAST INC.  
 SYSTEM IS DELIVERED FACTORY  
 PRE-ASSEMBLED  
 1. CONCRETE TANK MANUFACTURER'S MODEL  
 NO: 1000-1PC-ECH  
 REFER TO MANUFACTURERS SPECIFICATION  
 FOR TANK AND BURIAL  
 INSTALLATION GUIDELINES  
 2. OPERATING CONDITION  
 2,841 LITRES (750us gals) (625 imp gals)  
 PER DAY OF DOMESTIC RESIDENTIAL SEWAGE  
 3. INFLUENT  
 BOD = 250 mg/l  
 TSS = 250 mg/l  
 FATS, OIL GREASES = 35 mg/l  
 4. EFFLUENT (capabilities)  
 BOD = 10 mg/l  
 TSS = 10 mg/l  
 TOTAL NITROGEN = 70% Reduction  
 5. VOLUMETRIC CAPACITY  
 1ST CHAMBER = 1,513 L  
 2ND CHAMBER = 3,942 L  
 6. DRY SHIPPING WEIGHT  
 5,350 kg  
 7. BURIAL DEPTH  
 MAXIMUM EARTH COVER (ND CLAY) 610mm  
 8. FOR INSTALLATION, REFER TO CSA B66,  
 BC SEWERAGE SYSTEM STANDARD  
 PRACTICE MANUAL AND INSTALLATION  
 GUIDELINES PUBLISHED BY PINNACLE  
 ENVIRONMENTAL TECHNOLOGIES INC.  
 9. DIMENSIONS in mm.  
 10. INLET AND OUTLET ACCEPT 100mm S/D  
 COUPLING  
 11. EXTENSION FOR SERVICE ACCESS  
 HATCHES AVAILABLE ON REQUEST.  
 12. MAXIMUM EARTH COVER AS MEASURED  
 FROM TANK TOP CENTRE LINE  
 (NOT INCLUDING RISERS) IS 610mm.  
 13. FOR HIGH WATER TABLE INSTALLATION  
 CONTACT PINNACLE PRIOR TO  
 ORDERING.  
 14. FOR VEHICLE TRAFFIC CONTACT PINNACLE  
 PRIOR TO ORDERING.



Pinnacle Environmental Technologies Inc.  
 Mailing Add: Location:  
 P.O. Box 12112 22867-FraserHwy,  
 Langley, BC, V3A 9J1 Langley, BC  
 Ph: 604-514-7555 Fx: 604-514-7595  
 Email: info@peti.ca  
 WebSite: www.peti.ca

Project Title/Description

MicroFAST®0.75

Drawn By: S. Mann

Scale: 1:50

Date: 12.Oct.2011

Drawing No:

HPC MFC 0.75-2-01

Revision No:

0

Sheet No:

1 of 1