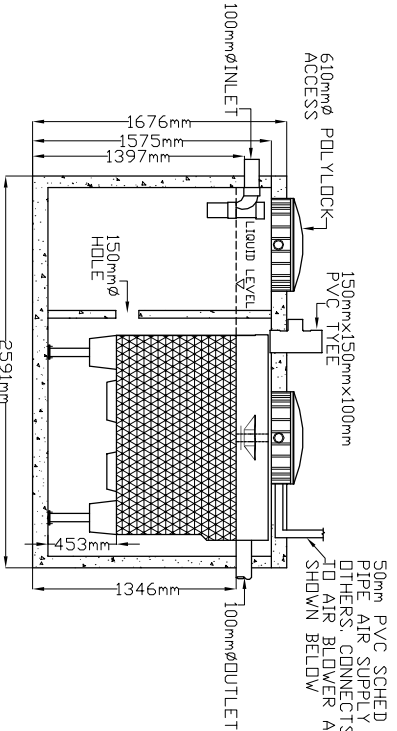
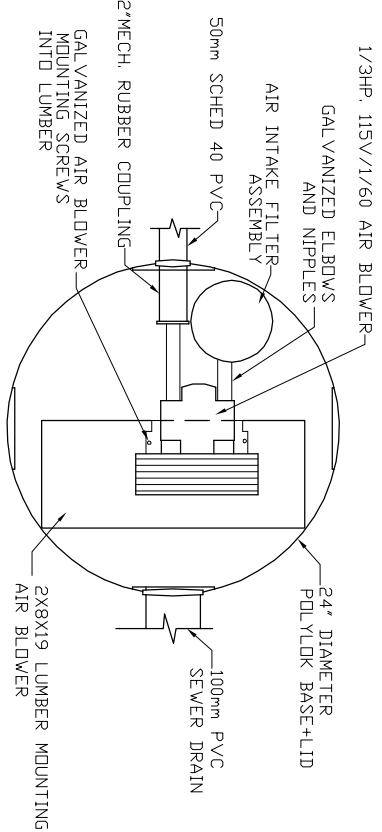


LID TOP VIEW

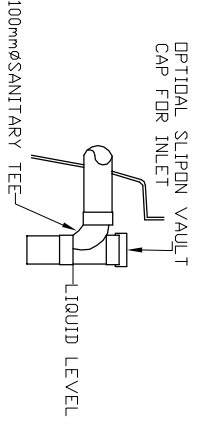


SIDE VIEW

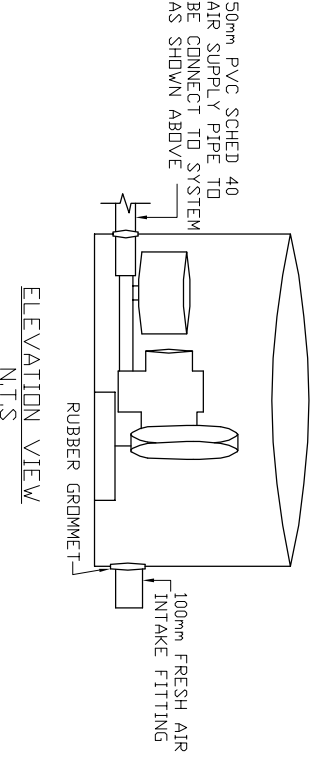
AIR BLOWER INGROUND VAULT



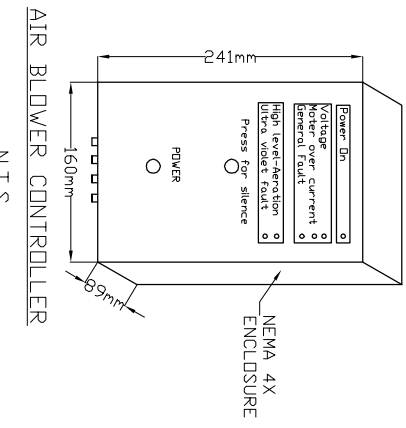
TOP VIEW
N.T.S.



INLET DETAIL
N.T.S.



ELEVATION VIEW
N.T.S.



AIR BLOWER CONTROLLER
N.T.S.

- MicroFAST®0.6**
TANK MANUFACTURED BY
HYLAND PRECAST INC.
- SYSTEM IS DELIVERED FACTORY PRE-ASSEMBLED
- CONCRETE TANK MANUFACTURER'S MODEL NO: 1000-IPC-2CH REFER TO MANUFACTURERS SPECIFICATION FOR TANK AND BURIAL INSTALLATION GUIDELINES
 - OPERATING CONDITION 2,273 LITRES (600 us gals) (500 imp gals) PER DAY OF DOMESTIC RESIDENTIAL SEWAGE
 - INFLUENT
BOD = 250 mg/l
TSS = 250 mg/l
FATS, OIL GREASES = 35 mg/l
 - EFFLUENT (capabilities)
BOD = 10 mg/l
TSS = 10 mg/l
TOTAL NITROGEN = 70% Reduction
 - VOLUMETRIC CAPACITY
1ST CHAMBER = 1,513 L
2ND CHAMBER = 3,942 L
 - DRY SHIPPING WEIGHT = 5,350 Kg
 - BURIAL DEPTH
 - FOR INSTALLATION, REFER TO CSA B66, BC SEWAGE SYSTEM STANDARD PRACTICE MANUAL AND INSTALLATION GUIDELINES PUBLISHED BY PINNACLE ENVIRONMENTAL TECHNOLOGIES INC.
 - DIMENSIONS in mm
 - INLET AND OUTLET ACCEPT 100mm S/D COUPLING
 - EXTENSION FOR SERVICE ACCESS HATCHES AVAILABLE ON REQUEST.
 - MAXIMUM EARTH COVER AS MEASURED FROM TANK TOP CENTRE LINE (NOT INCLUDING RISERS) IS 610mm.
 - FOR HIGH WATER TABLE INSTALLATION CONTACT PINNACLE PRIOR TO ORDERING.
 - FOR VEHICLE TRAFFIC CONTACT PINNACLE PRIOR TO ORDERING.

Drawing No:	HPC MFC 0.6-2-01	Project Title/Description MicroFAST®0.6	Pinnacle Environmental Technologies Inc. Mailing Add: P.O. Box 12112 Langley, BC, V3A 9J1 Ph: 604-514-7555 Fx: 604-514-7595 Email: info@peti.ca WebSite: www.peti.ca		
Revision No:	0				
Sheet No:	1 of 1				
Drawn By:	S. Mann	Scale:	1:50	Date:	12.Oct.2011