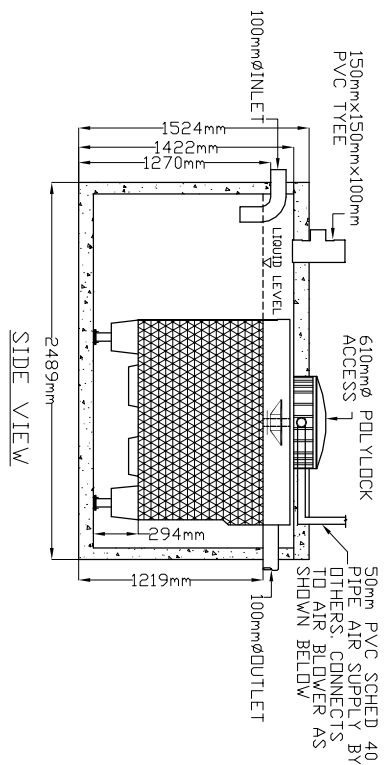
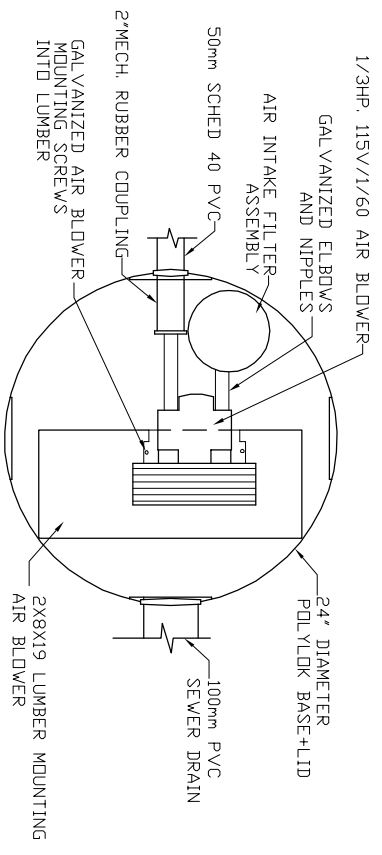


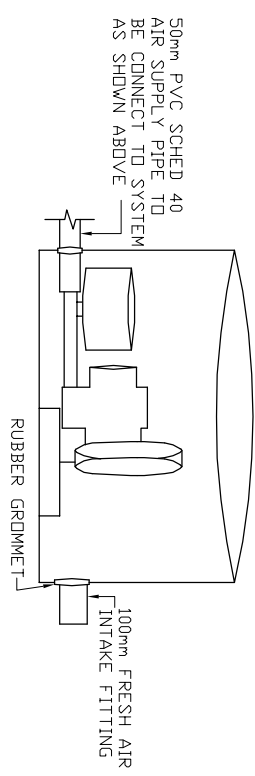
LID TOP VIEW



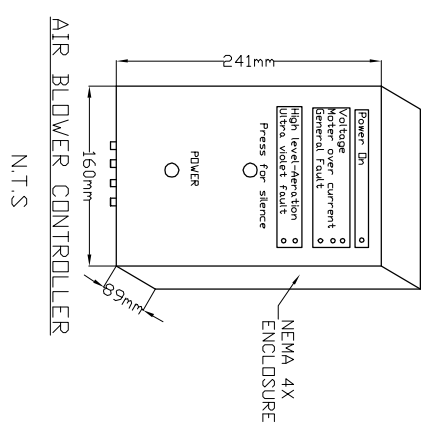
SIDE VIEW



TOP VIEW
N.T.S.



ELEVATION VIEW
N.T.S.



AIR BLOWER CONTROLLER
N.T.S.

- MicroFAST® 0.6
TANK MANUFACTURED BY
HYLAND PRECAST INC.
SYSTEM IS DELIVERED FACTORY
PRE-ASSEMBLED
1. CONCRETE TANK MANUFACTURER'S MODEL
NO: 800-IPC-10H
REFER TO MANUFACTURER'S SPECIFICATION
FOR TANK AND BURIAL
INSTALLATION GUIDELINES
2. OPERATING CONDITION
2,273 LITRES (600 us gals) (500 imp gals)
PER DAY OF DOMESTIC RESIDENTIAL SEWAGE
TRASH COLLECTION TANK
3. SHALL BE A MINIMUM OF 1/2 AND A MAXIMUM
OF 1.5 TIMES THE DAILY DESIGN FLOW AND
PROVIDED BY OTHERS.
4. INFLUENT
BOD = 250 mg/l
TSS = 250 mg/l
FATS, OIL GREASES = 35 mg/l
5. EFFLUENT (capabilities)
BOD = 10 mg/l
TSS = 10mg/l
TOTAL NITROGEN = 70% Reduction
6. VOLUMETRIC CAPACITY
SINGLE CHAMBER = 3,637 L
7. DRY SHIPPING WEIGHT = 4,400 KG
8. BURIAL DEPTH
MAXIMUM EARTH COVER (NO CLAY) 610mm
9. FOR INSTALLATION, REFER TO CSA B66,
BC SEWERAGE SYSTEM STANDARD
PRACTICE MANUAL AND INSTALLATION
GUIDELINES PUBLISHED BY PINNACLE
ENVIRONMENTAL TECHNOLOGIES INC.
10. DIMENSIONS in mm.
11. INLET AND OUTLET ACCEPT 100mm S/D
COUPLING
12. EXTENSION FOR SERVICE ACCESS
HATCHES AVAILABLE ON REQUEST.
13. MAXIMUM EARTH COVER AS MEASURED
FROM TANK TOP CENTRE LINE
(NOT INCLUDING RISERS) IS 610mm.
14. FOR HIGH WATER TABLE INSTALLATION
CONTACT PINNACLE PRIOR TO
ORDERING.
15. FOR VEHICLE TRAFFIC CONTACT PINNACLE
PRIOR TO ORDERING.



Pinnacle Environmental Technologies Inc.
Mailing Add: Location:
P.O. Box 12112 22867-FraserHwy,
Langley, BC, V3A 9J1 Langley, BC
Ph: 604-514-7555 Fax: 604-514-7595
Email: info@peti.ca
WebSite: www.peti.ca

Project Title/Description
MicroFAST® 0.6

Drawn By: S. Mann
Scale: 1:50
Date: 12.Oct.2011

Drawing Title: HPC MFC 0.6-1-01
Revision No: 0
Sheet No: 1 of 1

Drawing Title:
Revision No:
Sheet No: