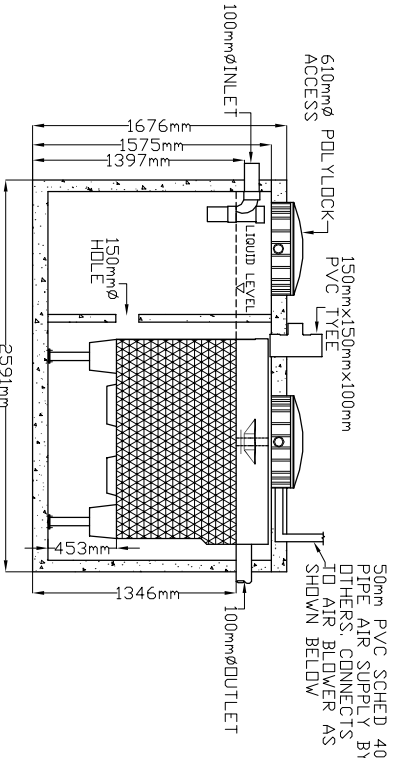
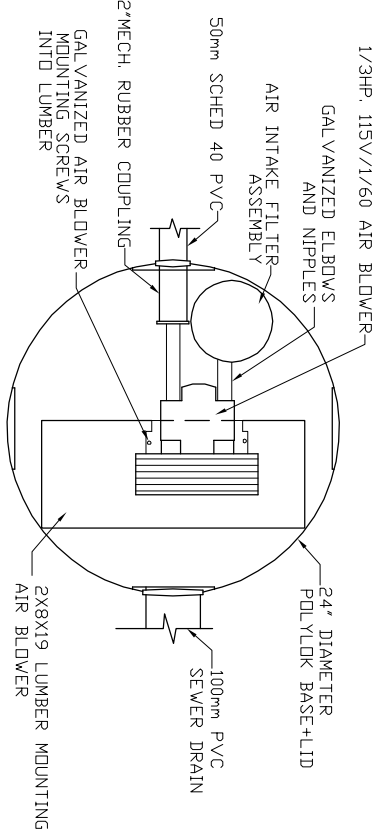


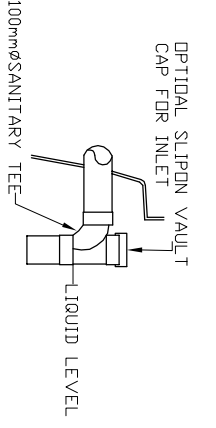
LID TOP VIEW



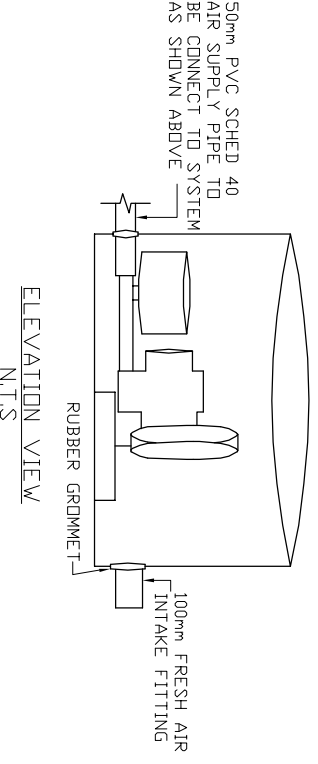
SIDE VIEW



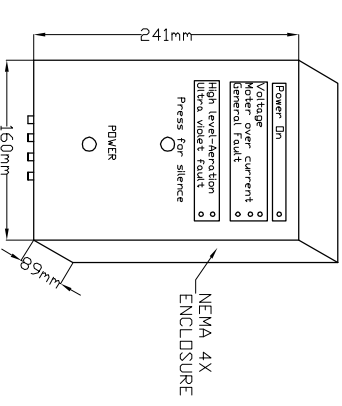
TOP VIEW
N.T.S.



INLET DETAIL
N.T.S.



ELEVATION VIEW
N.T.S.



AIR BLOWER CONTROLLER
N.T.S.

- MicroFAST®0.5**
TANK MANUFACTURED BY
HYLAND PRECAST INC.
- SYSTEM IS DELIVERED FACTORY
PRE-ASSEMBLED
- CONCRETE TANK MANUFACTURER'S MODEL
ND: 1000-1PC-2CH
REFER TO MANUFACTURERS SPECIFICATION
FOR TANK AND BURIAL
INSTALLATION GUIDELINES
 - OPERATING CONDITION
1,900 LITRES (500 US GALS) (416 IMP GALS)
PER DAY OF DOMESTIC RESIDENTIAL SEWAGE
 - INFLUENT
BOD = 250 mg/l
TSS = 250 mg/l
FATS, OIL GREASES = 35 mg/l
 - EFFLUENT (capabilities)
BOD = 10 mg/l
TSS = 10 mg/l
TOTAL NITROGEN = 70% Reduction
 - VOLUMETRIC CAPACITY
1ST CHAMBER = 1,513 L
2ND CHAMBER = 3,942 L
DRY SHIPPING WEIGHT = 5,350 Kg
 - BURIAL DEPTH
MAXIMUM EARTH COVER (ND CLAY) 610mm
 - FOR INSTALLATION, REFER TO CSA B66,
BC SEWAGE SYSTEM STANDARD
PRACTICE MANUAL AND INSTALLATION
GUIDELINES PUBLISHED BY PINNACLE
ENVIRONMENTAL TECHNOLOGIES INC.
 - DIMENSIONS in mm.
 - INLET AND OUTLET ACCEPT 100mm S/D
COUPLING
 - EXTENSION FOR SERVICE ACCESS
HATCHES AVAILABLE ON REQUEST.
 - MAXIMUM EARTH COVER AS MEASURED
FROM TANK TOP CENTRE LINE
(NOT INCLUDING RISERS) IS 610mm.
 - FOR HIGH WATER TABLE INSTALLATION
CONTACT PINNACLE PRIOR TO
ORDERING.
 - FOR VEHICLE TRAFFIC CONTACT PINNACLE
PRIOR TO ORDERING.

Drawing No:	HPC MFC 0.5-2-01	Project Title/Description	Pinnacle Environmental Technologies Inc. Mailing Add: P.O. Box 12112 Langley, BC, V3A 9J Ph: 604-514-7555 Fx: 604-514-7595 Email: info@peti.ca WebSite: www.peti.ca
Revision No:	0		
Sheet No:	1 of 1	Drawn By: S. Mann Scale: 1:50 Date: 12.Oct.2011	
		Project Title/Description	