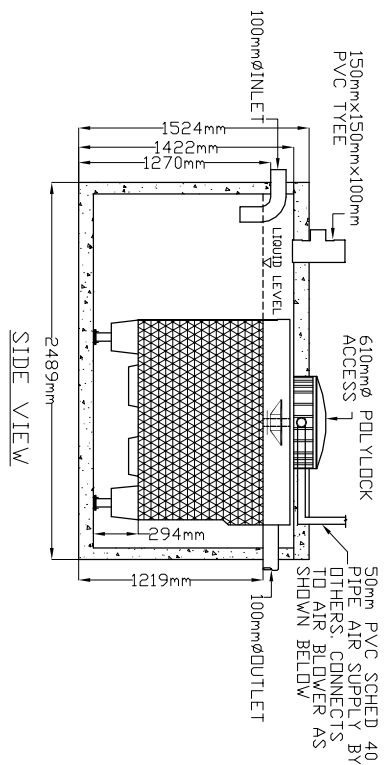
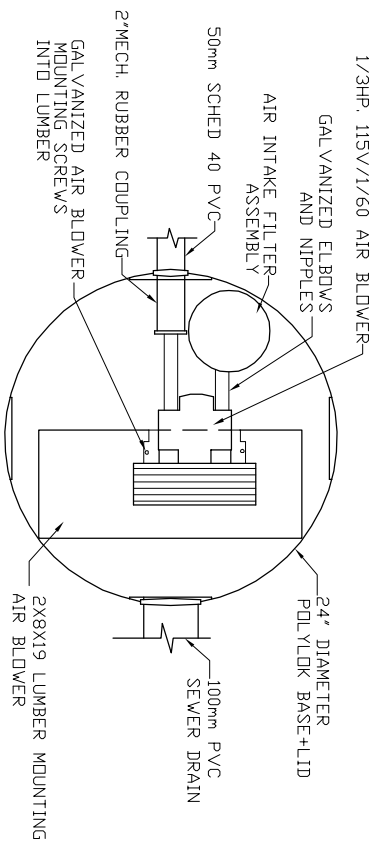


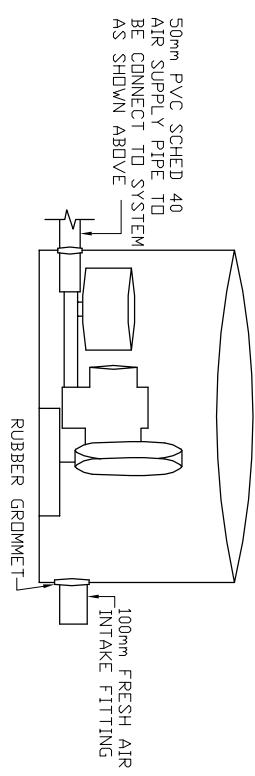
LID TOP VIEW



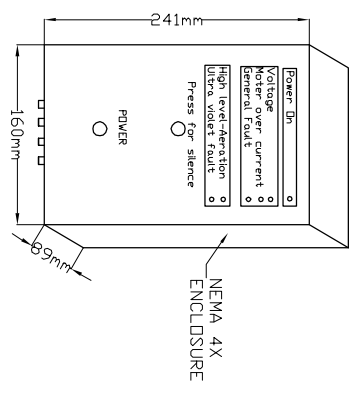
SIDE VIEW



TOP VIEW  
N.T.S.



ELEVATION VIEW  
N.T.S.



AIR BLOWER CONTROLLER  
N.T.S.

- MicroFAST®0.5**  
TANK MANUFACTURED BY  
HYLAND PRECAST INC.  
SYSTEM IS DELIVERED FACTORY  
PRE-ASSEMBLED  
1. CONCRETE TANK MANUFACTURER'S MODEL  
NO. 800-IPC-10H  
REFER TO MANUFACTURERS SPECIFICATION  
FOR TANK AND BURIAL  
INSTALLATION GUIDELINES
2. OPERATING CONDITION  
1,900 LITRES (500 us gals) (416 imp gals)  
PER DAY OF DOMESTIC RESIDENTIAL SEWAGE  
3. TRASH COLLECTION TANK  
SHALL BE A MINIMUM OF 1/2 AND A MAXIMUM  
OF 1.5 TIMES THE DAILY DESIGN FLOW AND  
PROVIDED BY OTHERS.
4. INFLUENT  
BOD = 250 mg/l  
TSS = 250 mg/l  
FATS, OIL GREASES = 35 mg/l
5. EFFLUENT (capabilities)  
BOD = 10 mg/l  
TSS = 10 mg/l  
TOTAL NITROGEN = 70% Reduction
6. VOLUMETRIC CAPACITY  
SINGLE CHAMBER = 3,637 L
7. DRY SHIPPING WEIGHT  
4,400 KG
8. BURIAL DEPTH  
MAXIMUM EARTH COVER (ND CLAY) 610mm
9. FOR INSTALLATION, REFER TO CSA B66,  
BC SEWERAGE SYSTEM STANDARD  
PRACTICE MANUAL AND INSTALLATION  
GUIDELINES PUBLISHED BY PINNACLE  
ENVIRONMENTAL TECHNOLOGIES INC.
10. DIMENSIONS in mm.
11. INLET AND OUTLET ACCEPT 100mm S/D  
COUPLING
12. EXTENSION FOR SERVICE ACCESS  
HATCHES AVAILABLE ON REQUEST.
13. MAXIMUM EARTH COVER AS MEASURED  
FROM TANK TOP CENTRE LINE  
(NOT INCLUDING RISERS) IS 610mm.
14. FOR HIGH WATER TABLE INSTALLATION  
CONTACT PINNACLE PRIOR TO  
ORDERING.
15. FOR VEHICLE TRAFFIC CONTACT PINNACLE  
PRIOR TO ORDERING.



Pinnacle Environmental Technologies Inc.  
Mailing Add: Location:  
P.O. Box 12112 22867-FraserHwy,  
Langley, BC, V3A 9J1 Langley, BC  
Ph: 604-514-7555 Fax: 604-514-7595  
Email: info@peti.ca  
WebSite: www.peti.ca

Project Title/Description  
**MicroFAST®0.5**

Drawn By: S. Mann  
Scale: 1:50  
Date: 12.Oct.2011

Drawing No: HPC MFC 0.5-1-01  
Revision No: 0  
Sheet No: 1 of 1

Drawing No:  
Revision No:  
Sheet No: