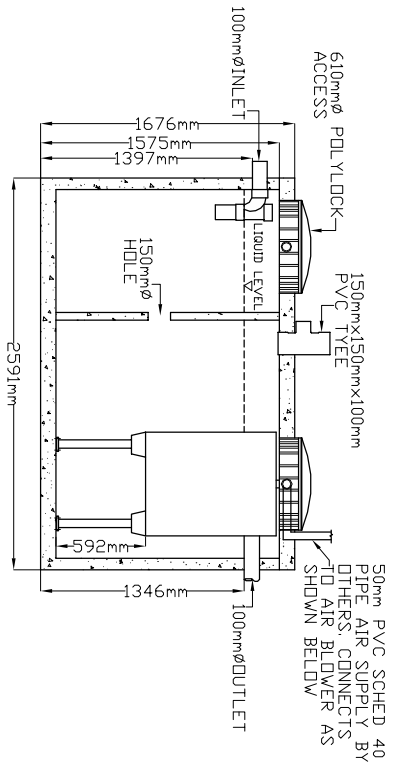
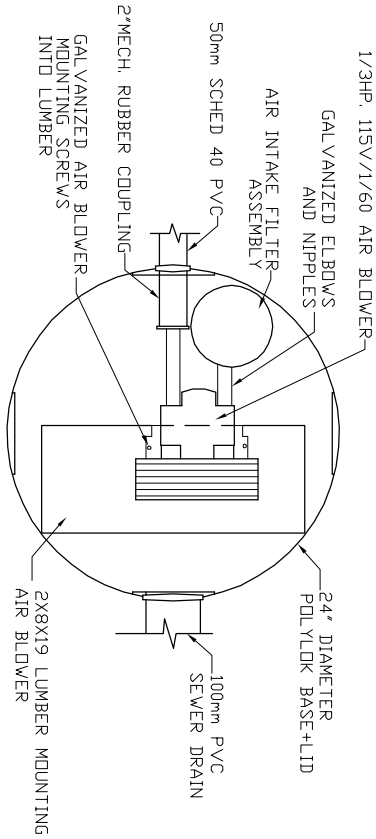


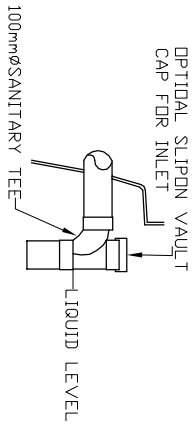
LID TOP VIEW



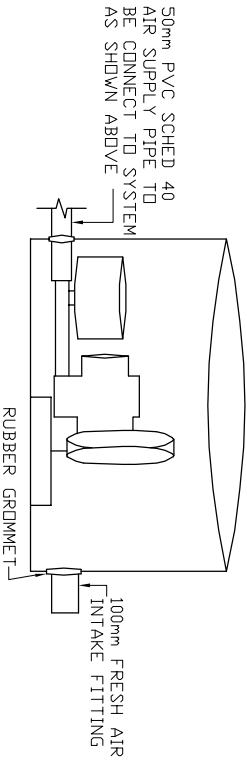
SIDE VIEW



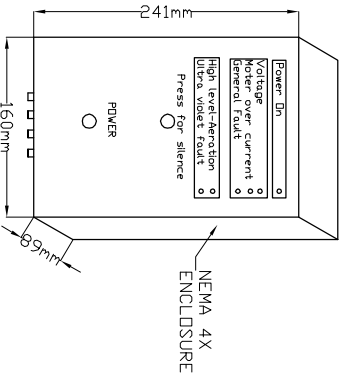
TOP VIEW  
N.T.S.



INLET DETAIL  
N.T.S.

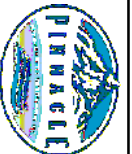


ELEVATION VIEW  
N.T.S.



AIR BLOWER CONTROLLER  
N.T.S.

- MicroFAST®0.375**  
TANK MANUFACTURED BY  
HYLAND PRECAST INC.
- SYSTEM IS DELIVERED FACTORY  
PRE-ASSEMBLED
1. CONCRETE TANK MANUFACTURER'S MODEL  
ND: 1000-1PC-2CH  
REFER TO MANUFACTURERS SPECIFICATION  
FOR TANK AND BURIAL  
INSTALLATION GUIDELINES
  2. OPERATING CONDITION  
1,420 LITRES (375 us gals) (312 imp gals)  
PER DAY OF DOMESTIC RESIDENTIAL SEWAGE  
INFLUENT  
BOD = 250 mg/l  
TSS = 250 mg/l  
FATS, OIL GREASES = 35 mg/l
  4. EFFLUENT (capabilities)  
BOD = 10 mg/l  
TSS = 10 mg/l  
TOTAL NITROGEN = 70% Reduction
  5. VOLUMETRIC CAPACITY  
1ST CHAMBER = 1,513 L  
2ND CHAMBER = 3,942 L
  6. DRY SHIPPING WEIGHT = 5,350 Kg
  7. BURIAL DEPTH  
MAXIMUM EARTH COVER (ND CLAY) 610mm
  8. FOR INSTALLATION, REFER TO CSA B66,  
BC SEWAGE SYSTEM STANDARD  
PRACTICE MANUAL AND INSTALLATION  
GUIDELINES PUBLISHED BY PINNACLE  
ENVIRONMENTAL TECHNOLOGIES INC.
  9. DIMENSIONS in mm.
  10. INLET AND OUTLET ACCEPT 100mm S/D  
COUPLING
  11. EXTENSION FOR SERVICE ACCESS  
HATCHES AVAILABLE ON REQUEST.
  12. MAXIMUM EARTH COVER AS MEASURED  
FROM TANK TOP CENTRE LINE  
(NOT INCLUDING RISERS) IS 610mm.
  13. FOR HIGH WATER TABLE INSTALLATION  
CONTACT PINNACLE PRIOR TO  
ORDERING.
  14. FOR VEHICLE TRAFFIC CONTACT PINNACLE  
PRIOR TO ORDERING.



Pinnacle Environmental Technologies Inc.  
Mailing Add: 22867-FraserHwy,  
P.O. Box 12112 Langley, BC  
Langley, BC, V3A 9J  
Ph: 604-514-7555 Fax: 604-514-7595  
Email: info@peti.ca  
WebSite: www.peti.ca

Project Title/Description

MicroFAST®0.375

Drawn By: S. Mann

Scale: 1:50

Date: 12.Oct.2011

Drawing No:

HPC MFC 0.375-2-01

Revision No:

0

Sheet No:

1 of 1