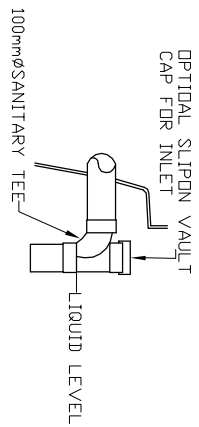
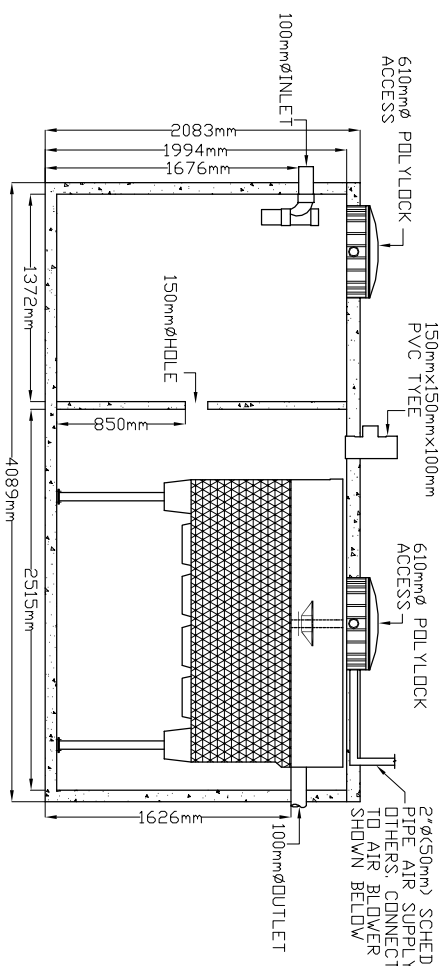


LID TOP VIEW

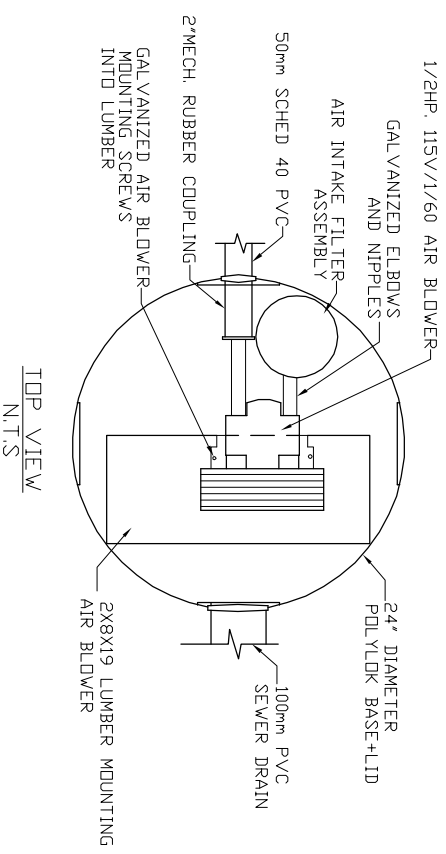


INLET DETAIL
N.T.S.

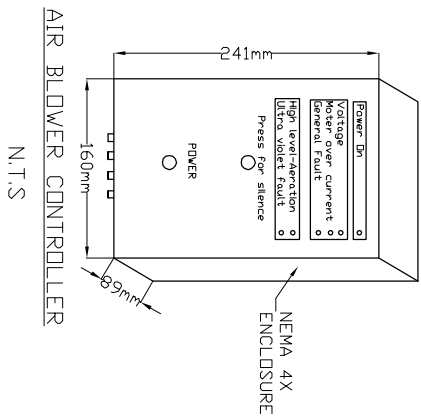


SIDE VIEW

AIR BLOWER INGROUND VAULT

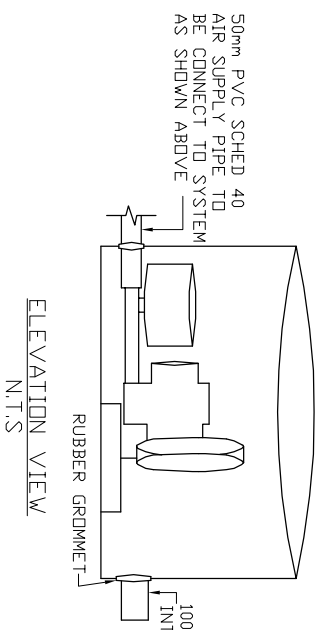


TOP VIEW
N.T.S.



N.T.S.

AIR BLOWER CONTROLLER



ELEVATION VIEW
N.T.S.

- MicroFAST® 1.5**
TANK MANUFACTURED BY
GROSSD PRECAST TANK
SYSTEM IS DELIVERED FACTORY
PRE-ASSEMBLED
1. CONCRETE TANK MANUFACTURER'S MODEL
NO: 2000-1PC-2CH
REFER TO MANUFACTURERS SPECIFICATION
FOR TANK AND BURIAL
INSTALLATION GUIDELINES
 2. OPERATING CONDITION
5,678 LITRES (1500 us gals) (1250 imp gals)
PER DAY OF DOMESTIC RESIDENTIAL SEWAGE
 3. INFLUENT
BOD = 250 mg/l
TSS = 250 mg/l
FATS, OIL GREASES = 35 mg/l
 4. EFFLUENT (capabilities)
BOD = 10 mg/l
TSS = 10 mg/l
TOTAL NITROGEN = 70% Reduction
 5. VOLUMETRIC CAPACITY
1ST CHAMBER 3,000 L
2ND CHAMBER 6,092 L
 6. DRY SHIPPING WEIGHT
CONFIRM WITH MANUFACTURER
 7. BURIAL DEPTH
MAXIMUM EARTH COVER (NO CLAY) 610mm
 8. FOR INSTALLATION, REFER TO CSA B66,
BC SEWERAGE SYSTEM STANDARD
PRACTICE MANUAL AND INSTALLATION
GUIDELINES PUBLISHED BY PINNACLE
ENVIRONMENTAL TECHNOLOGIES INC.
 9. DIMENSIONS in mm.
 10. INLET AND OUTLET ACCEPT 100mm S/D
COUPLING
 11. EXTENSION FOR SERVICE ACCESS
HATCHES AVAILABLE ON REQUEST.
 12. MAXIMUM EARTH COVER AS MEASURED
FROM TANK TOP CENTRE LINE
(NOT INCLUDING RISERS) IS 610mm.
 13. FOR HIGH WATER TABLE INSTALLATION
CONTACT PINNACLE PRIOR TO
ORDERING.
 14. FOR VEHICLE TRAFFIC CONTACT PINNACLE
PRIOR TO ORDERING.



Pinnacle Environmental Technologies Inc.
Mailing Add: Location:
P.O. Box 12112 22867-FraserHwy,
Langley, BC, V3A 9J Langley, BC
Ph: 604-514-7555 Fax: 604-514-7595
Email: info@peti.ca
WebSite: www.peti.ca

Project Title/Description
MicroFAST® 1.5

Drawn By: S. Mann
Scale: 1:50
Date: 12.Oct.2011

Drawing No:	GPC MFC 1.5-2-01
Revision No:	0
Sheet No:	1 of 1