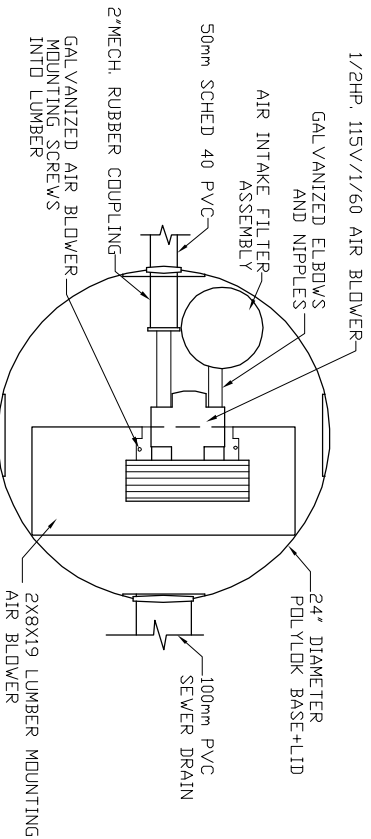
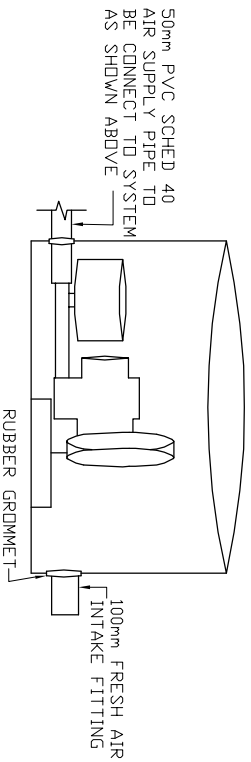


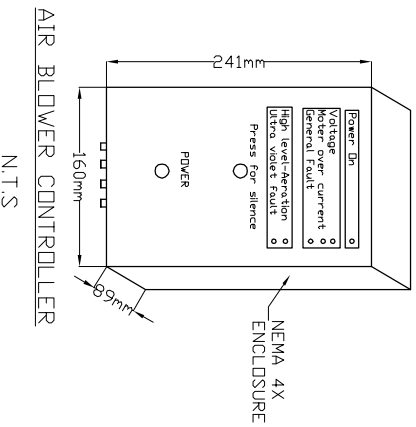
AIR BLOWER INGROUND VAULT



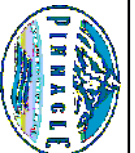
TOP VIEW  
N.T.S.



ELEVATION VIEW  
N.T.S.



- MicroFAST® 1.0  
TANK MANUFACTURED BY  
GROSSD PRECAST TANK  
SYSTEM IS DELIVERED FACTORY  
PRE-ASSEMBLED
1. CONCRETE TANK MANUFACTURER'S MODEL NO: 900-IP-C-1CH REFER TO MANUFACTURERS SPECIFICATION FOR TANK AND BURIAL INSTALLATION GUIDELINES
  2. OPERATING CONDITION  
3,791 LITRES (1000 us gals) (834 imp gals) PER DAY OF DOMESTIC RESIDENTIAL SEWAGE TRASH COLLECTION TANK
  3. SHALL BE A MINIMUM OF 1/2 AND A MAXIMUM OF 1.5 TIMES THE DAILY DESIGN FLOW AND PROVIDED BY OTHERS.
  4. INFLUENT  
BOD = 250 mg/l  
TSS = 250 mg/l  
FATS, OIL GREASES = 35 mg/l
  5. EFFLUENT (capabilities)  
BOD = 10 mg/l  
TSS = 10 mg/l  
TOTAL NITROGEN = 70% Reduction
  6. VOLUMETRIC CAPACITY  
SINGLE CHAMBER = 4,091 L
  7. DRY SHIPPING WEIGHT  
CONFIRM WITH MANUFACTURER
  8. BURIAL DEPTH  
MAXIMUM EARTH COVER (ND CLAY) 610mm
  9. FOR INSTALLATION, REFER TO CSA B66, BC SEWERAGE SYSTEM STANDARD PRACTICE MANUAL AND INSTALLATION GUIDELINES PUBLISHED BY PINNACLE ENVIRONMENTAL TECHNOLOGIES INC.
  10. DIMENSIONS in mm.
  11. INLET AND OUTLET ACCEPT 100mm S/D COUPLING
  12. EXTENSION FOR SERVICE ACCESS HATCHES AVAILABLE ON REQUEST.
  13. MAXIMUM EARTH COVER AS MEASURED FROM TANK TOP CENTRE LINE (NOT INCLUDING RISERS) IS 610mm.
  14. FOR HIGH WATER TABLE INSTALLATION CONTACT PINNACLE PRIOR TO ORDERING.
  15. FOR VEHICLE TRAFFIC CONTACT PINNACLE PRIOR TO ORDERING.



Pinnacle Environmental Technologies Inc.  
Mailing Add: Location:  
P.O. Box 12112 22867-FraserHwy,  
Langley, BC, V3A 9J Langley, BC  
Ph: 604-514-7555 Fax: 604-514-7595  
Email: info@peti.ca  
WebSite: www.peti.ca

Project Title/Description

MicroFAST® 1.0

Drawn By: S. Mann

Scale: 1:50

Date: 12.Oct.2011

Drawing No: GPC MFC 1.0-1-01

Revision No: 0

Sheet No: 1 of 1