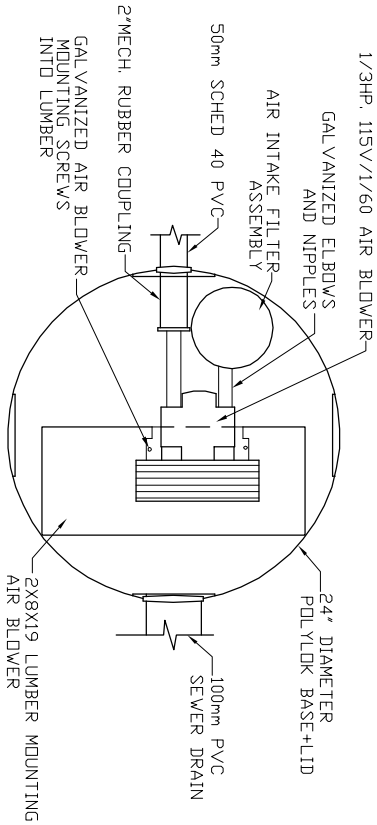
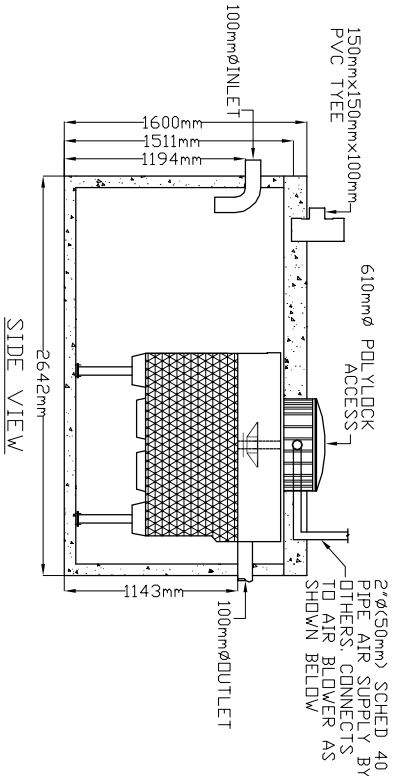
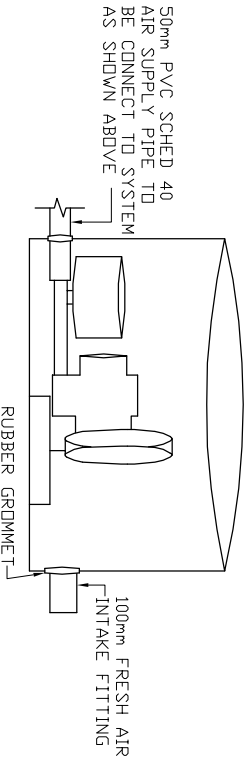


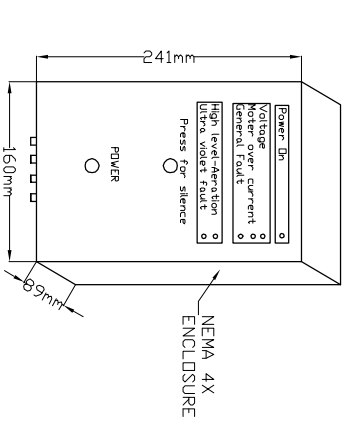
AIR BLOWER INGROUND VAULT



TOP VIEW
N.T.S

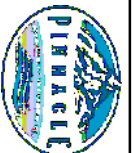


ELEVATION VIEW
N.T.S



AIR BLOWER CONTROLLER
N.T.S

- MicroFAST®0.9
TANK MANUFACTURED BY
GROSS PRECAST TANK
SYSTEM IS DELIVERED FACTORY
PRE-ASSEMBLED
1. CONCRETE TANK MANUFACTURER'S MODEL
NO: 900-1PC-1CH
REFER TO MANUFACTURERS SPECIFICATION
FOR TANK AND BURIAL
INSTALLATION GUIDELINES
2. OPERATING CONDITION
3. 407 LITRES (900 us gals) (750 imp gals)
PER DAY OF DOMESTIC RESIDENTIAL SEWAGE
TASH COLLECTION TANK
SHALL BE A MINIMUM OF 1/2 AND A MAXIMUM
OF 1.5 TIMES THE DAILY DESIGN FLOW AND
PROVIDED BY OTHERS.
4. INFLUENT
BOD = 250 mg/l
TSS = 250 mg/l
FATS, OIL GREASES = 35 mg/l
5. EFFLUENT (capabilities)
BOD = 10 mg/l
TSS = 10 mg/l
TOTAL NITROGEN = 70% Reduction
6. VOLUMETRIC CAPACITY
SINGLE CHAMBER = 4,091 L
7. DRY SHIPPING WEIGHT
CONFIRM WITH MANUFACTURER
8. BURIAL DEPTH
MAXIMUM EARTH COVER (ND CLAY) 610mm
9. FOR INSTALLATION, REFER TO CSA B66,
BC SEWERAGE SYSTEM STANDARD
PRACTICE MANUAL AND INSTALLATION
GUIDELINES PUBLISHED BY PINNACLE
ENVIRONMENTAL TECHNOLOGIES INC.
10. DIMENSIONS in mm.
11. INLET AND OUTLET ACCEPT 100mm S/D
COUPLING
12. EXTENSION FOR SERVICE ACCESS
HATCHES AVAILABLE ON REQUEST.
13. MAXIMUM EARTH COVER AS MEASURED
FROM TANK TOP CENTRE LINE
(NOT INCLUDING RISERS) IS 610mm.
14. FOR HIGH WATER TABLE INSTALLATION
CONTACT PINNACLE PRIOR TO
ORDERING.
15. FOR VEHICLE TRAFFIC CONTACT PINNACLE
PRIOR TO ORDERING.



Pinnacle Environmental Technologies Inc.
Mailing Add: Location:
P.O. Box 12112 22867-FraserHwy,
Langley, BC, V3A 9J Langley, BC
Ph: 604-514-7555 Fax: 604-514-7595
Email: info@peti.ca
WebSite: www.peti.ca

Project Title/Description

MicroFAST®0.9

Drawn By: S. Mann

Scale: 1:50

Date: 12.Oct.2011

Drawing No:

GPC MFC 0.9-1-01

Revision No:

0

Sheet No:

1 of 1