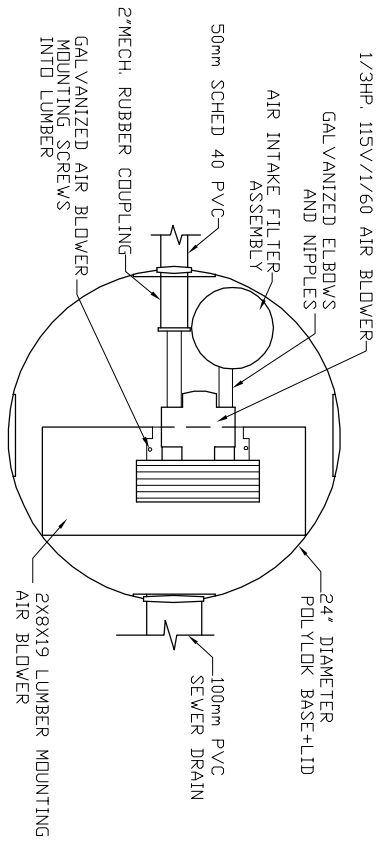
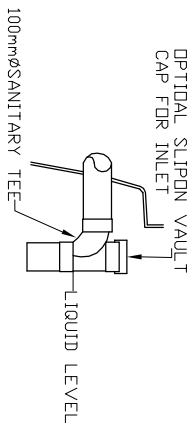


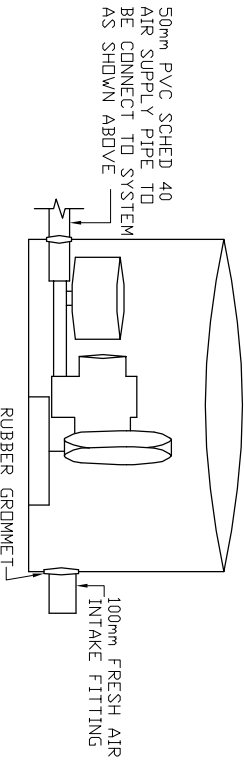
AIR BLOWER INGROUND VAULT



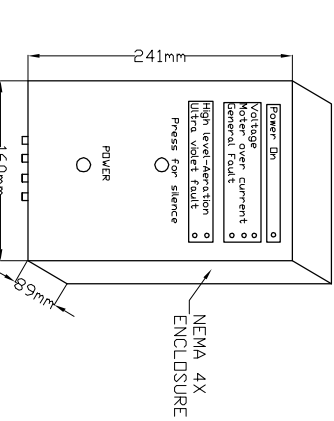
TOP VIEW
N.T.S.



INLET DETAIL
N.T.S.



ELEVATION VIEW
N.T.S.



AIR BLOWER CONTROLLER
N.T.S.

<p>MicroFAST® 0.75 TANK MANUFACTURED BY GRSSD PRECAST TANK SYSTEM IS DELIVERED FACTORY PRE-ASSEMBLED 1. CONCRETE TANK MANUFACTURER'S MODEL ND: 1200-IPC-2CH REFER TO MANUFACTURERS SPECIFICATION FOR TANK AND BURIAL INSTALLATION GUIDELINES 2. OPERATING CONDITION 2,841 LITRES (750 us gals) (625 imp gals) PER DAY OF DOMESTIC RESIDENTIAL SEWAGE INFLUENT 3. INFLUENT BOD = 250 mg/l TSS = 250 mg/l FATS, OIL GREASES = 35 mg/l 4. EFFLUENT (capabilities) BOD = 10 mg/l TSS = 10 mg/l TOTAL NITROGEN = 70% Reduction 5. VOLUMETRIC CAPACITY 1ST CHAMBER 1,800 L 2ND CHAMBER 3,655 L 6. DRY SHIPPING WEIGHT CONFIRM WITH MANUFACTURER 7. BURIAL DEPTH MAXIMUM EARTH COVER (ND CLAY) 610mm 8. FOR INSTALLATION, REFER TO CSA B66, BC SEWAGE SYSTEM STANDARD PRACTICE MANUAL AND INSTALLATION GUIDELINES PUBLISHED BY PINNACLE ENVIRONMENTAL TECHNOLOGIES INC. 9. DIMENSIONS in mm. 10. INLET AND OUTLET ACCEPT 100mm S/D COUPLING 11. EXTENSION FOR SERVICE ACCESS HATCHES AVAILABLE ON REQUEST. 12. MAXIMUM EARTH COVER AS MEASURED FROM TANK TOP CENTRE LINE (NOT INCLUDING RISERS) IS 610mm, FOR HIGH WATER TABLE INSTALLATION CONTACT PINNACLE PRIOR TO ORDERING. 14. FOR VEHICLE TRAFFIC CONTACT PINNACLE PRIOR TO ORDERING.</p>	
---	--

Drawing No:	GPC MFC 0.75-2-01	
Revision No:	0	
Sheet No:	1 of 1	
Project Title/Description		Pinnacle Environmental Technologies Inc. Mailing Add: 22867-FraserHwy, P.O. Box 12112 Langley, BC Langley, BC, V3A 9J Ph: 604-514-7555 Fax: 604-514-7595 Email: info@peti.ca WebSite: www.peti.ca
Drawn By: S. Mann Scale: 1:50 Date: 12.Oct.2011		
MicroFAST® 0.75		