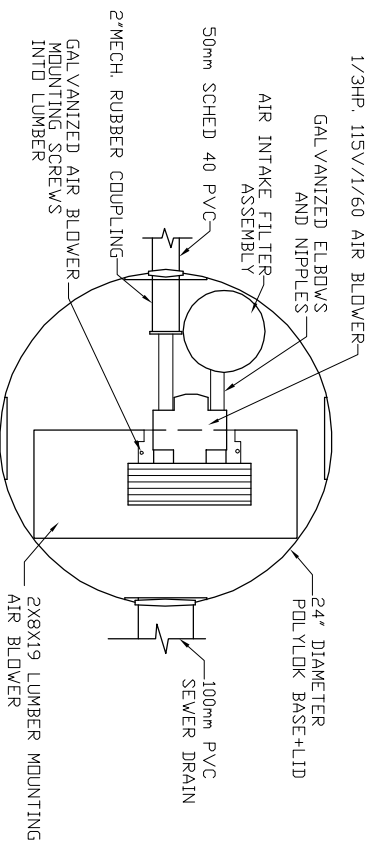
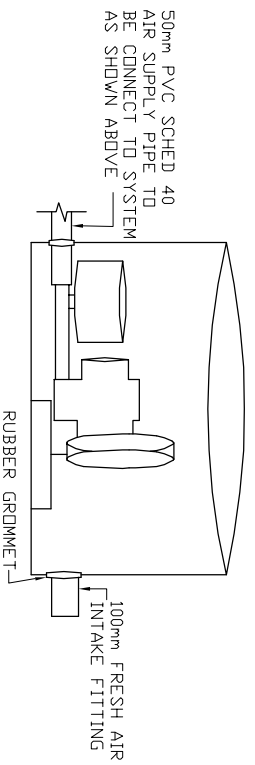


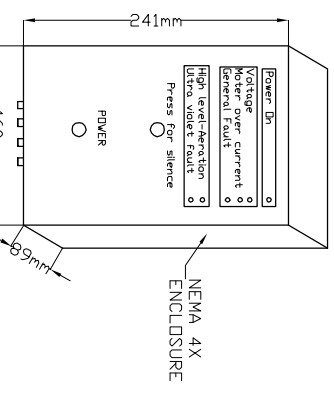
AIR BLOWER INGROUND VAULT



TOP VIEW
N.T.S



ELEVATION VIEW
N.T.S



AIR BLOWER CONTROLLER
N.T.S

- MicroFAST® 0.75**
TANK MANUFACTURED BY GROSSD PRECAST TANK SYSTEM IS DELIVERED FACTORY PRE-ASSEMBLED
1. CONCRETE TANK MANUFACTURER'S MODEL NO: 800-IFC-10H REFER TO MANUFACTURER'S SPECIFICATION FOR TANK AND BURIAL INSTALLATION GUIDELINES
 2. OPERATING CONDITION 2,841 LITRES (750 us gals) (625 imp gals) PER DAY OF DOMESTIC RESIDENTIAL SEWAGE TRASH COLLECTION TANK
 3. SHALL BE A MINIMUM OF 1/2 AND A MAXIMUM OF 1.5 TIMES THE DAILY DESIGN FLOW AND PROVIDED BY OTHERS.
 4. INFLUENT
BOD = 250 mg/l
TSS = 250 mg/l
FATS, OIL GREASES = 35 mg/l
 5. EFFLUENT (capabilities)
BOD = 10 mg/l
TSS = 10 mg/l
TOTAL NITROGEN = 70% Reduction
 6. VOLUMETRIC CAPACITY SINGLE CHAMBER = 3,637 L
 7. DRY SHIPPING WEIGHT CONFIRM WITH MANUFACTURER
 8. BURIAL DEPTH MAXIMUM EARTH COVER (ND CLAY) 610mm
 9. FOR INSTALLATION, REFER TO CSA B66, BC SEWERAGE SYSTEM STANDARD PRACTICE MANUAL AND INSTALLATION GUIDELINES PUBLISHED BY PINNACLE ENVIRONMENTAL TECHNOLOGIES INC.
 10. DIMENSIONS in mm.
 11. INLET AND OUTLET ACCEPT 100mm S/D COUPLING
 12. EXTENSION FOR SERVICE ACCESS HATCHES AVAILABLE ON REQUEST.
 13. MAXIMUM EARTH COVER AS MEASURED FROM TANK TOP CENTRE LINE (NOT INCLUDING RISERS) IS 610mm.
 14. FOR HIGH WATER TABLE INSTALLATION CONTACT PINNACLE PRIOR TO ORDERING.
 15. FOR VEHICLE TRAFFIC CONTACT PINNACLE PRIOR TO ORDERING.



Pinnacle Environmental Technologies Inc.
 Mailing Add: Location:
 P.O. Box 12112 22867-FraserHwy,
 Langley, BC, V3A 9J Langley, BC
 Ph: 604-514-7555 Fax: 604-514-7595
 Email: info@peti.ca
 WebSite: www.peti.ca

Project Title/Description
MicroFAST® 0.75

Drawn By: S. Mann
 Scale: 1:50
 Date: 12.Oct.2011

Drawing No:	GPC MFC 0.75-1-01
Revision No:	0
Sheet No:	1 of 1