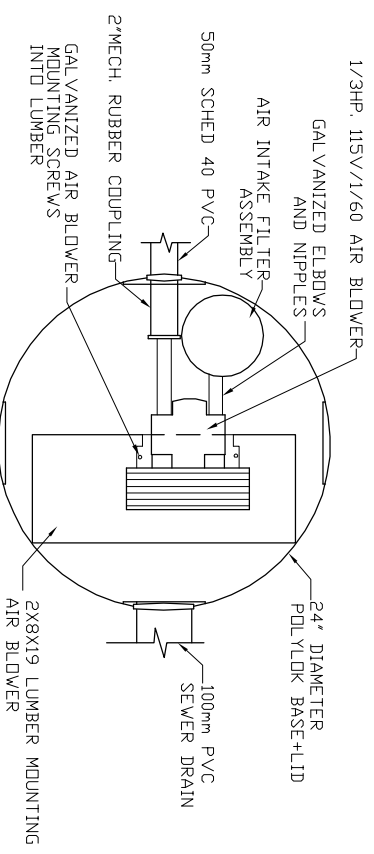
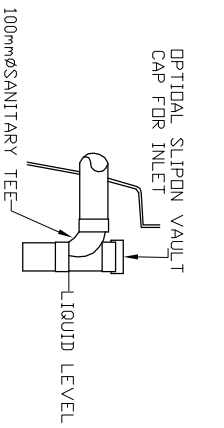


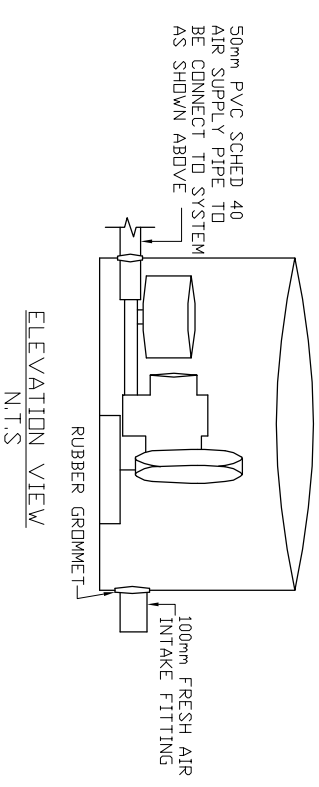
AIR BLOWER INGROUND VAULT



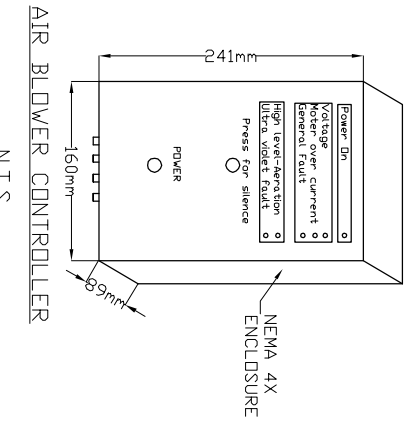
TOP VIEW  
N.T.S.



INLET DETAIL  
N.T.S.



ELEVATION VIEW  
N.T.S.



AIR BLOWER CONTROLLER  
N.T.S.

- MicroFAST®0.5**  
TANK MANUFACTURED BY GROSSD PRECAST TANK
- SYSTEM IS DELIVERED FACTORY PRE-ASSEMBLED
1. CONCRETE TANK MANUFACTURER'S MODEL NO: 1200-1PC-2CH REFER TO MANUFACTURERS SPECIFICATION FOR TANK AND BURIAL INSTALLATION GUIDELINES
  2. OPERATING CONDITION  
1,900 LITRES (500 us gals) (416 imp gals) PER DAY OF DOMESTIC RESIDENTIAL SEWAGE
  3. INFLUENT  
BOD = 250 mg/l  
TSS = 250 mg/l  
FATS, OIL GREASES = 35 mg/l
  4. EFFLUENT (capabilities?)  
BOD = 10 mg/l  
TSS = 10 mg/l  
TOTAL NITROGEN = 70% Reduction
  5. VOLUMETRIC CAPACITY  
1ST CHAMBER 1,800 L  
2ND CHAMBER 3,655 L
  6. DRY SHIPPING WEIGHT  
CONFIRM WITH MANUFACTURER
  7. BURIAL DEPTH  
MAXIMUM EARTH COVER (ND CLAY) 610mm
  8. FOR INSTALLATION, REFER TO CSA B66, BC SEWERAGE SYSTEM STANDARD PRACTICE MANUAL AND INSTALLATION GUIDELINES PUBLISHED BY PINNACLE ENVIRONMENTAL TECHNOLOGIES INC.
  9. DIMENSIONS in mm.
  10. INLET AND OUTLET ACCEPT 100mm S/D COUPLING
  11. EXTENSION FOR SERVICE ACCESS HATCHES AVAILABLE ON REQUEST.
  12. MAXIMUM EARTH COVER AS MEASURED FROM TANK TOP CENTRE LINE (NOT INCLUDING RISERS) IS 610mm.
  13. FOR HIGH WATER TABLE INSTALLATION CONTACT PINNACLE PRIOR TO ORDERING.
  14. FOR VEHICLE TRAFFIC CONTACT PINNACLE PRIOR TO ORDERING.

Drawing No:	GPC MFC 0.5-2-01	Date: 12.Oct.2011	Scale: 1:50	Drawn By: S. Mann	Project Title/Description  MicroFAST®0.5	Pinnacle Environmental Technologies Inc. Mailing Add: P.O. Box 12112 Langley, BC, V3A 9J Ph: 604-514-7555 Fx: 604-514-7595 Email: info@peti.ca WebSite: www.peti.ca	
Revision No:	0						
Sheet No:	1 of 1						