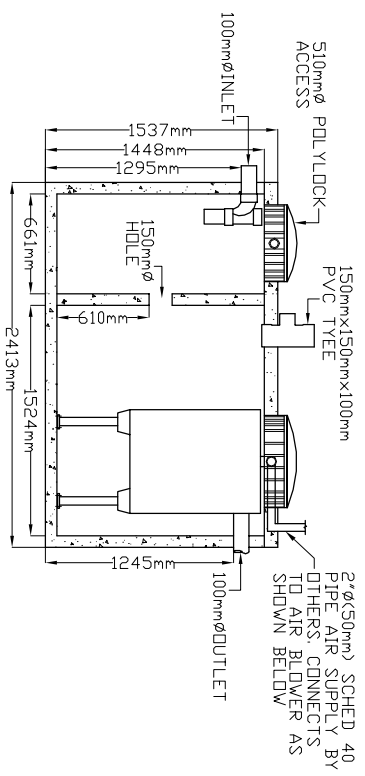
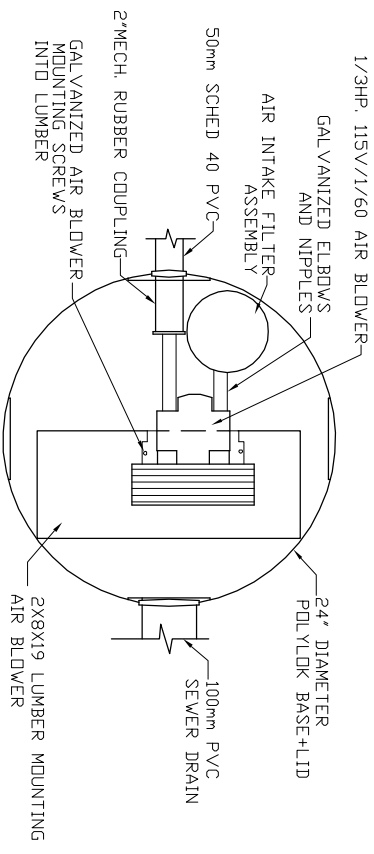


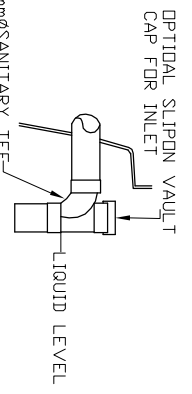
LID TOP VIEW



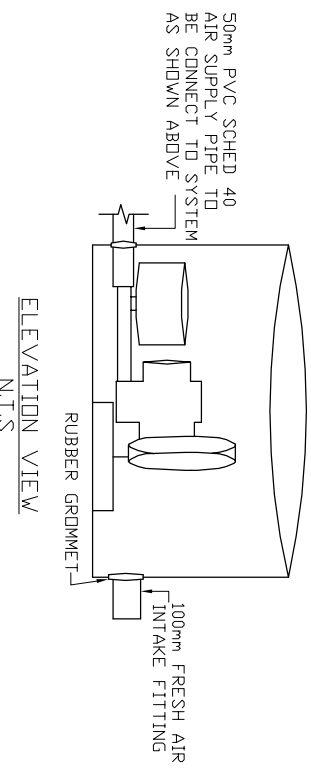
SIDE VIEW



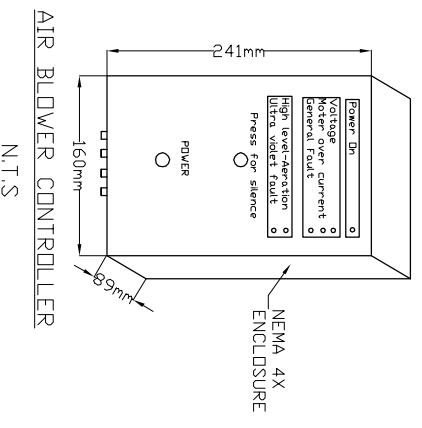
TOP VIEW
N.T.S.



INLET DETAIL
N.T.S.



ELEVATION VIEW
N.T.S.



AIR BLOWER CONTROLLER
N.T.S.

<p>MicroFAST® 0.375 TANK MANUFACTURED BY GROSSD PRECAST TANK SYSTEM IS DELIVERED FROM PRE-ASSEMBLED 1. CONCRETE TANK MANUFACTURERS MODEL NO: 800-IPC-2CH REFER TO MANUFACTURERS SPECIFICATION FOR TANK AND BURIAL INSTALLATION GUIDELINES 2. OPERATING CONDITION 1,420 LITRES (375 US GALS) (312 imp gals) PER DAY OF DOMESTIC RESIDENTIAL SEWAGE INFLUENT 3. INFLUENT BOD = 250 mg/l TSS = 250 mg/l FATS, OIL GREASES = 35 mg/l 4. EFFLUENT (capabilities) BOD = 10 mg/l TSS = 10 mg/l TOTAL NITROGEN = 70% Reduction 5. VOLUMETRIC CAPACITY 1ST CHAMBER 1,200 L 2ND CHAMBER 2,436 L 6. DRY SHIPPING WEIGHT CONFIRM WITH MANUFACTURER 7. BURIAL DEPTH MAXIMUM EARTH COVER (ND CLAY) 610mm 8. FOR INSTALLATION, REFER TO CSA B66, BC SEWERAGE SYSTEM STANDARD PRACTICE MANUAL AND INSTALLATION GUIDELINES PUBLISHED BY PINNACLE ENVIRONMENTAL TECHNOLOGIES INC. 9. DIMENSIONS in mm. 10. INLET AND OUTLET ACCEPT 100mm S/D COUPLING 11. EXTENSION FOR SERVICE ACCESS HATCHES AVAILABLE ON REQUEST. 12. MAXIMUM EARTH COVER AS MEASURED FROM TANK TOP CENTRE LINE (NOT INCLUDING RISERS) IS 610mm. 13. FOR HIGH WATER TABLE INSTALLATION CONTACT PINNACLE PRIOR TO ORDERING. 14. FOR VEHICLE TRAFFIC CONTACT PINNACLE PRIOR TO ORDERING.</p>	
---	--



Pinnacle Environmental Technologies Inc.
Mailing Add: Location:
P.O. Box 12112 22867-FraserHwy,
Langley, BC, V3A 9J Langley, BC
Ph: 604-514-7555 Fax: 604-514-7595
Email: info@peti.ca
WebSite: www.peti.ca

Project Title/Description
MicroFAST® 0.375

Drawn By: S. Mann
Scale: 1:50
Date: 12.Oct.2011

Drawing No:	GPC MFC 0.375-2-01
Revision No:	0
Sheet No:	1 of 1