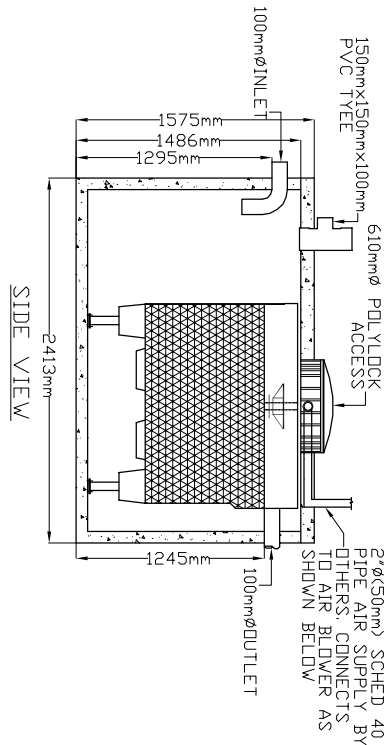
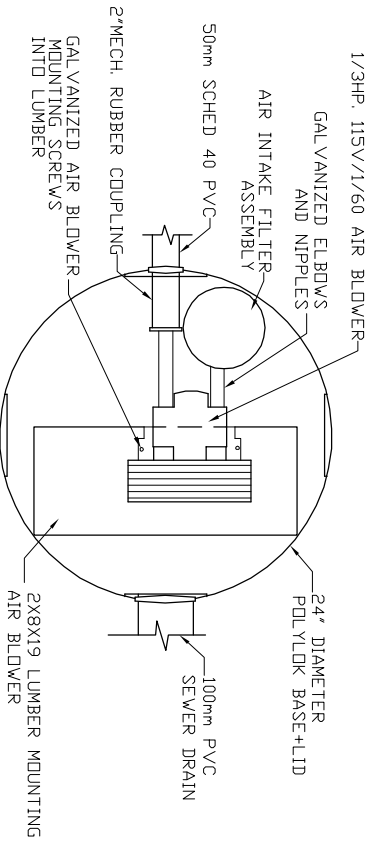


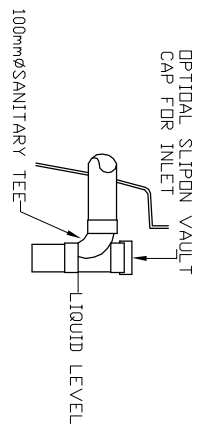
LID TOP VIEW



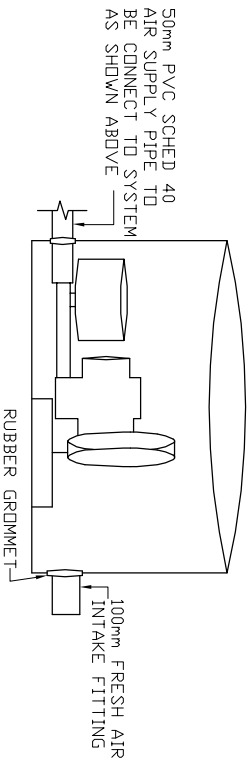
SIDE VIEW



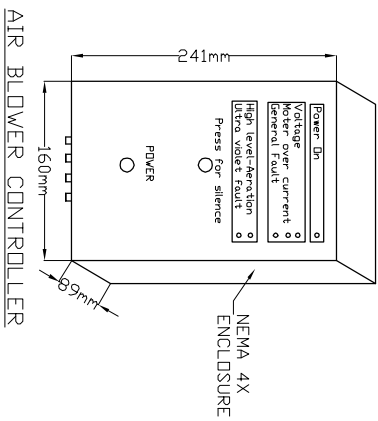
TOP VIEW
N.T.S.



INLET DETAIL
N.T.S.

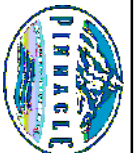


ELEVATION VIEW
N.T.S.



N.T.S.

- MicroFAST®0.5
TANK MANUFACTURED BY
GROSSD PRECAST TANK
SYSTEM IS DELIVERED FACTORY
PRE-ASSEMBLED
1. CONCRETE TANK MANUFACTURER'S MODEL NO: 800-IPC-1CH REFER TO MANUFACTURERS SPECIFICATION FOR TANK AND BURIAL INSTALLATION GUIDELINES
 2. OPERATING CONDITION
1,900 LITRES (500 us gals) (416 imp gals) PER DAY OF DOMESTIC RESIDENTIAL SEWAGE
 3. TRASH COLLECTION TANK SHALL BE A MINIMUM OF 1/2 AND A MAXIMUM OF 1.5 TIMES THE DAILY DESIGN FLOW AND PROVIDED BY OTHERS.
 4. INFLUENT
BOD = 250 mg/l
TSS = 250 mg/l
FATS, OIL GREASES = 35 mg/l
 5. EFFLUENT (capabilities)
BOD = 10 mg/l
TSS = 10 mg/l
TOTAL NITROGEN = 70% Reduction
 6. VOLUMETRIC CAPACITY
SINGLE CHAMBER = 3,637 L
 7. DRY SHIPPING WEIGHT
CONFIRM WITH MANUFACTURER
 8. BURIAL DEPTH
MAXIMUM EARTH COVER (ND CLAY) 610mm
 9. FOR INSTALLATION, REFER TO CSA B66, BC SEWERAGE SYSTEM STANDARD PRACTICE MANUAL AND INSTALLATION GUIDELINES PUBLISHED BY PINNACLE ENVIRONMENTAL TECHNOLOGIES INC.
 10. DIMENSIONS in mm.
 11. INLET AND OUTLET ACCEPT 100mm S/D COUPLING
 12. EXTENSION FOR SERVICE ACCESS HATCHES AVAILABLE ON REQUEST.
 13. MAXIMUM EARTH COVER AS MEASURED FROM TANK TOP CENTRE LINE (NOT INCLUDING RISERS) IS 610mm.
 14. FOR HIGH WATER TABLE INSTALLATION CONTACT PINNACLE PRIOR TO ORDERING.
 15. FOR VEHICLE TRAFFIC CONTACT PINNACLE PRIOR TO ORDERING.



Pinnacle Environmental Technologies Inc.
Mailing Add: Location:
P.O. Box 12112 22867-FraserHwy,
Langley, BC, V3A 9J Langley, BC
Ph: 604-514-7555 Fax: 604-514-7595
Email: info@peti.ca
WebSite: www.peti.ca

Project Title/Description

MicroFAST®0.5

Drawn By: S. Mann

Scale: 1:50

Date: 12, Oct, 2011

Drawing No:

GPC MCF 0.5-1-01

Revision No:

0

Sheet No:

1 of 1