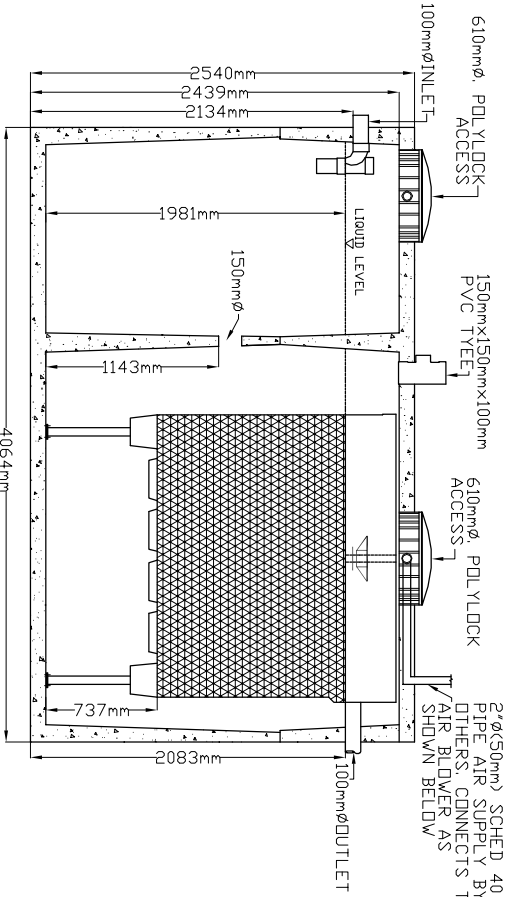
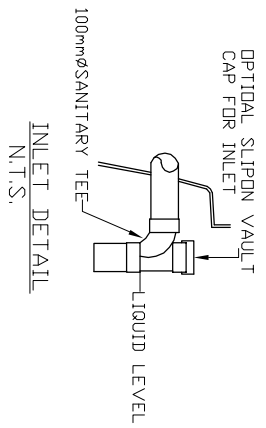


LID TOP VIEW

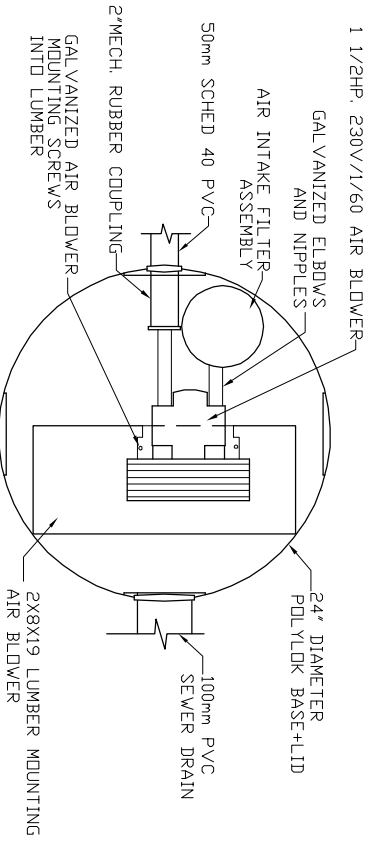


SIDE VIEW

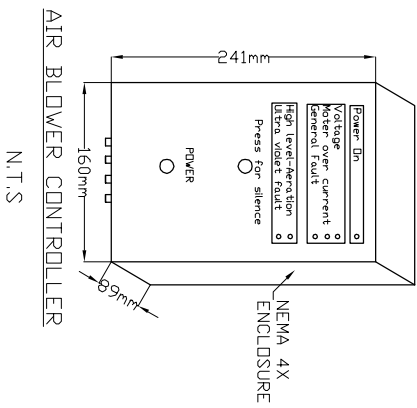
AIR BLOWER INGROUND VAULT



INLET DETAIL  
N.T.S.

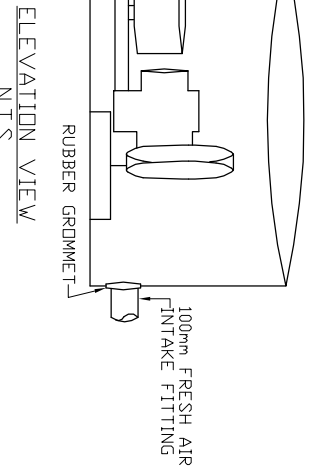


TOP VIEW  
N.T.S.



N.T.S.

AIR BLOWER CONTROLLER



ELEVATION VIEW  
N.T.S.

**MICROFAST® 3.0**  
TANK MANUFACTURED BY  
FRASERWAY PRECAST LTD

SYSTEM IS DELIVERED FACTORY  
PRE-ASSEMBLED  
1. CONCRETE TANK MANUFACTURER'S MODEL  
NDI: 3.000-IPC-2CH  
REFER TO MANUFACTURERS SPECIFICATION  
FOR TANK AND BURIAL  
INSTALLATION GUIDELINES

2. OPERATING CONDITION  
11,365 LITRES (3000 us gals) (2500 imp gals)  
PER DAY OF DOMESTIC RESIDENTIAL SEWAGE

3. INFLUENT  
BOD = 250 mg/l  
TSS = 250 mg/l  
FATS, OIL GREASES = 35 mg/l

4. EFFLUENT (capabilities)  
BOD = 10 mg/l  
TSS = 10 mg/l  
TOTAL NITROGEN = 70% Reduction

5. VOLUMETRIC CAPACITY  
1ST CHAMBER 4,542 LITRES  
2ND CHAMBER 9,096 LITRES

6. DRY SHIPPING WEIGHT 11,158 kg

7. BURIAL DEPTH  
MAXIMUM EARTH COVER (ND CLAY) 610mm

8. FOR INSTALLATION, REFER TO CSA B66,  
BC SEWERAGE SYSTEM STANDARD  
PRACTICE MANUAL AND INSTALLATION  
GUIDELINES PUBLISHED BY PINNACLE  
ENVIRONMENTAL TECHNOLOGIES INC.

9. DIMENSIONS in mm.

10. INLET AND OUTLET ACCEPT 100mm S/D  
COUPLING

11. EXTENSION FOR SERVICE ACCESS  
HATCHES AVAILABLE ON REQUEST.

12. MAXIMUM EARTH COVER AS MEASURED  
FROM TANK TOP CENTRE LINE  
(NOT INCLUDING RISERS) IS 610mm.

13. FOR HIGH WATER TABLE INSTALLATION  
CONTACT PINNACLE PRIOR TO  
ORDERING.

14. FOR VEHICLE TRAFFIC CONTACT PINNACLE  
PRIOR TO ORDERING.



Pinnacle Environmental Technologies Inc.  
Mailing Add: P.O. Box 12112  
22867-FraserHwy,  
Langley, BC, V3A 9J1  
Ph: 604-514-7555 Fax: 604-514-7595  
Email: info@peti.ca  
WebSite: www.peti.ca

Project Title/Description

MicroFAST® 3.0

Drawn By: S. Mann

Scale: 1:50

Date: 12.Oct.2011

Drawing No:

FWP MCF 3.0-2-01

Revision No:

0

Sheet No:

1 of 1