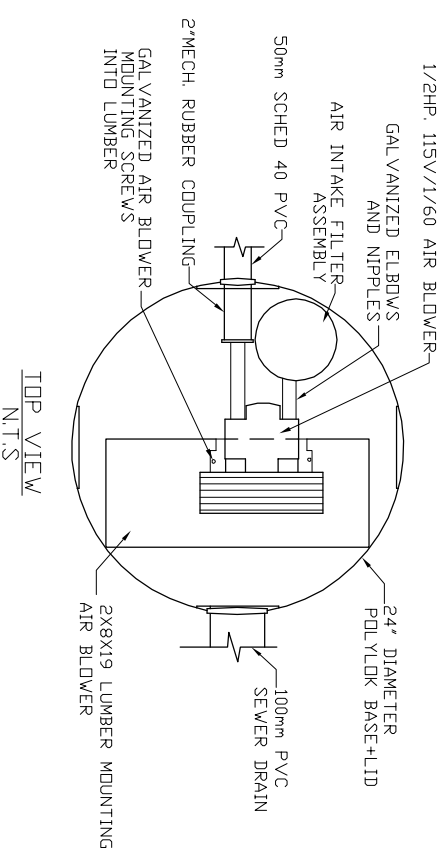
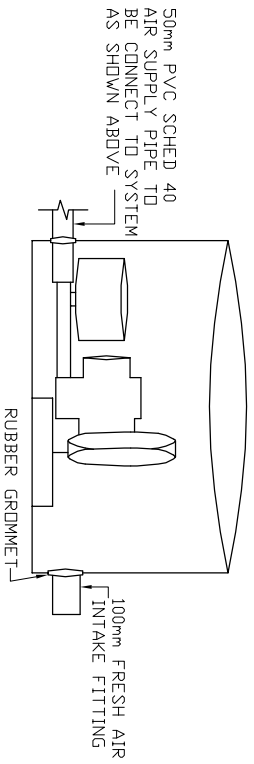


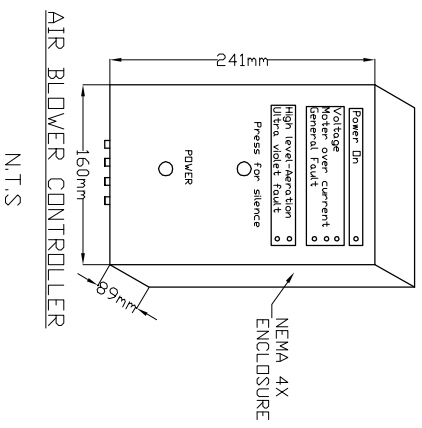
AIR BLOWER INGROUND VAULT



TOP VIEW  
N.T.S.



ELEVATION VIEW  
N.T.S.



- MicroFAST® 1.5  
TANK MANUFACTURED BY  
FRASERWAY PRECAST LTD  
SYSTEM IS DELIVERED FACTORY  
PRE-ASSEMBLED
1. CONCRETE TANK MANUFACTURER'S MODEL NO: 1000-IPC-1CH REFER TO MANUFACTURER'S SPECIFICATION FOR TANK AND BURIAL INSTALLATION GUIDELINES
  2. OPERATING CONDITION 5,678 LITRES (1500 us gals) (1250 imp gals) PER DAY OF DOMESTIC RESIDENTIAL SEWAGE
  3. TRASH COLLECTION TANK SHALL BE A MINIMUM OF 1/2 AND A MAXIMUM OF 1.5 TIMES THE DAILY DESIGN FLOW AND PROVIDED BY OTHERS.
  4. INFLUENT  
BOD = 250 mg/l  
TSS = 250 mg/l  
FATS, OIL GREASES = 35 mg/l
  5. EFFLUENT (capabilities)  
BOD = 10 mg/l  
TSS = 10 mg/l  
TOTAL NITROGEN = 10 mg/l  
= 70% Reduction
  6. VOLUMETRIC CAPACITY SINGLE CHAMBER = 4,546 L
  7. DRY SHIPPING WEIGHT = 2,950 kg
  8. BURIAL DEPTH MAXIMUM EARTH COVER (ND CLAY) 610mm
  9. FOR INSTALLATION, REFER TO CSA B66, BC SEWERAGE SYSTEM STANDARD PRACTICE MANUAL AND INSTALLATION GUIDELINES PUBLISHED BY PINNACLE ENVIRONMENTAL TECHNOLOGIES INC.
  10. DIMENSIONS in mm.
  11. INLET AND OUTLET ACCEPT 100mm S/D COUPLING
  12. EXTENSION FOR SERVICE ACCESS HATCHES AVAILABLE ON REQUEST.
  13. MAXIMUM EARTH COVER AS MEASURED FROM TANK TOP CENTRE LINE (NOT INCLUDING RISERS) IS 610mm.
  14. FOR HIGH WATER TABLE INSTALLATION CONTACT PINNACLE PRIOR TO ORDERING.
  15. FOR VEHICLE TRAFFIC CONTACT PINNACLE PRIOR TO ORDERING.

Drawing No:	FWP MCF 1.5-1-01	Project Title/Description  MicroFAST 1.5	Pinnacle Environmental Technologies Inc. Mailing Add: Location: P.O. Box 12112 22867-FraserHwy, Langley, BC, V3A 9J Langley, BC Ph: 604-514-7555 Fx: 604-514-7595 Email: info@peti.ca WebSite: www.peti.ca	
Revision No:	0			
Sheet No:	1 of 1			
Date:	12.Oct.2011	Drawn By: S. Mann		
Scale:	1:50			