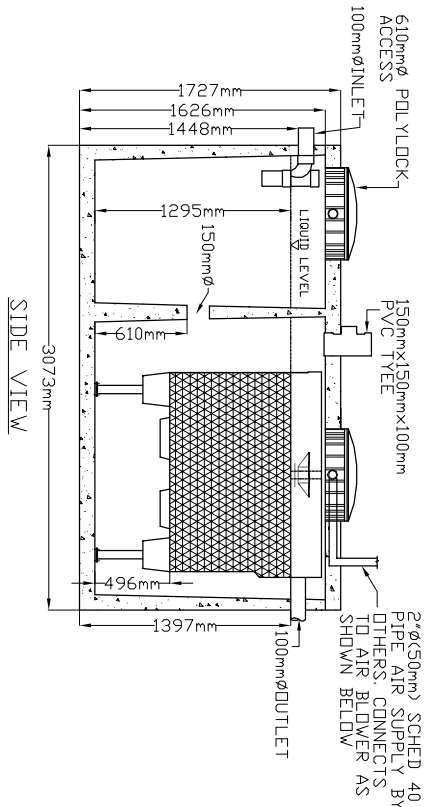
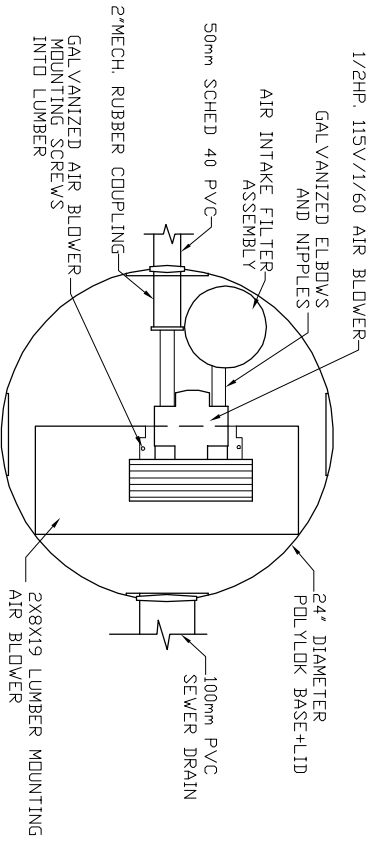


LID TOP VIEW

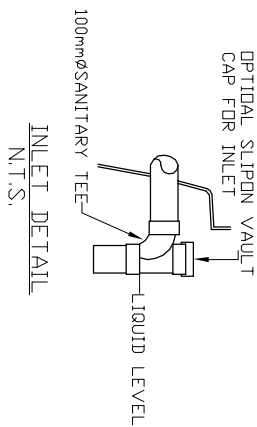


SIDE VIEW

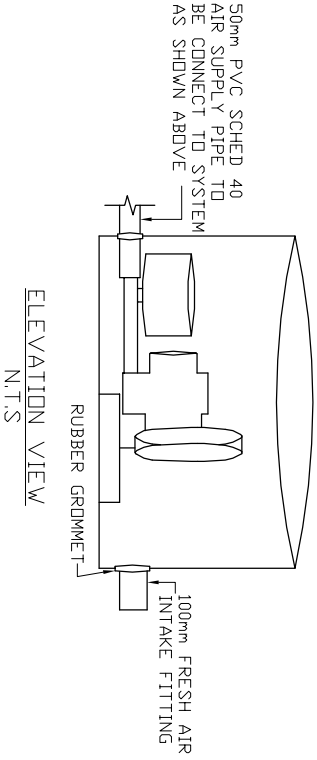
AIR BLOWER INGROUND VAULT



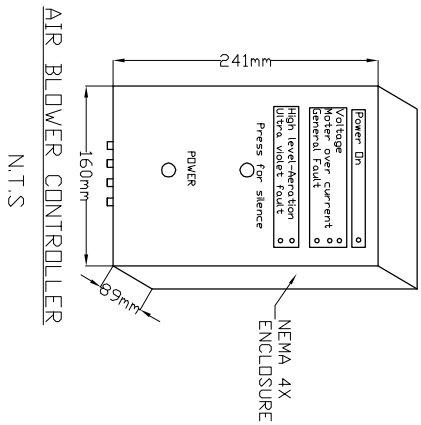
TOP VIEW
N.T.S.



INLET DETAIL
N.T.S.



ELEVATION VIEW
N.T.S.



AIR BLOWER CONTROLLER
N.T.S.

- MicroFAST®1.0
TANK MANUFACTURED BY FRASERWAY PRECAST LTD
- SYSTEM IS DELIVERED FACTORY PRE-ASSEMBLED
1. CONCRETE TANK MANUFACTURER'S MODEL NO: 1/200-1PC-2CH REFER TO MANUFACTURERS SPECIFICATION FOR TANK AND BURIAL INSTALLATION GUIDELINES
 2. OPERATING CONDITION
3,800 LITRES (1000 US GALS) (834 imp gals) PER DAY OF DOMESTIC RESIDENTIAL SEWAGE
 3. INFLUENT
BOD = 250 mg/l
TSS = 250 mg/l
FATS, OIL GREASES = 35 mg/l
 4. EFFLUENT (capabilities)
BOD = 10 mg/l
TSS = 10 mg/l
TOTAL NITROGEN = 70% Reduction
 5. VOLUMETRIC CAPACITY
1ST CHAMBER 1,800 LITRES
2ND CHAMBER 3,455 LITRES
 6. DRY SHIPPING WEIGHT
6,092 kg
 7. BURIAL DEPTH
MAXIMUM EARTH COVER (ND CLAY) 610mm
 8. FOR INSTALLATION, REFER TO CSA B66, BC SEWERAGE SYSTEM STANDARD PRACTICE MANUAL AND INSTALLATION GUIDELINES PUBLISHED BY PINNACLE ENVIRONMENTAL TECHNOLOGIES INC.
 9. DIMENSIONS in mm.
 10. INLET AND OUTLET ACCEPT 100mm S/D COUPLING
 11. EXTENSION FOR SERVICE ACCESS HATCHES AVAILABLE ON REQUEST.
 12. MAXIMUM EARTH COVER AS MEASURED FROM TANK TOP CENTRE LINE (NOT INCLUDING RISERS) IS 610mm.
 13. FOR HIGH WATER TABLE INSTALLATION CONTACT PINNACLE PRIOR TO ORDERING.
 14. FOR VEHICLE TRAFFIC CONTACT PINNACLE PRIOR TO ORDERING.



Pinnacle Environmental Technologies Inc.
Mailing Add: P.O. Box 12112
Langley, Bc, V3A 9J
Ph: 604-514-7555
Email: info@peti.ca
WebSite: www.peti.ca

Project Title/Description

MicroFAST®1.0

Drawn By: S. Mann

Scale: 1:50

Date: 12.Oct.2011

Drawing No:

FWP MCF 1.0-2-01

Revision No:

0

Sheet No:

1 of 1