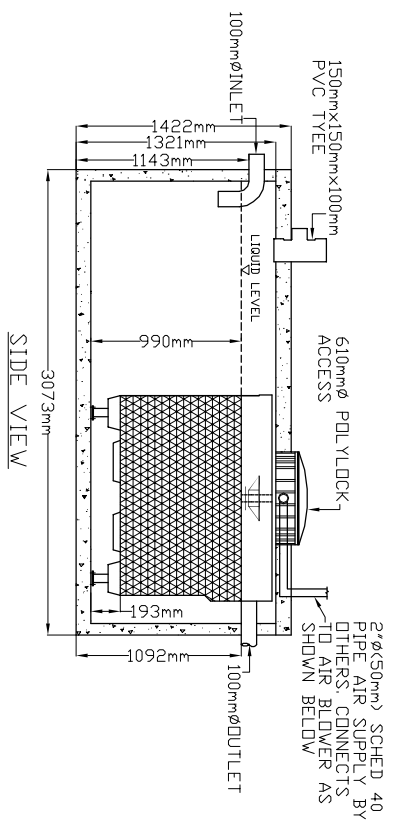
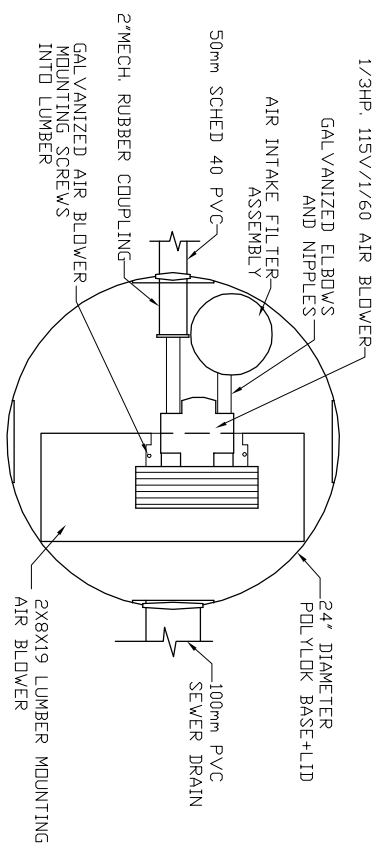


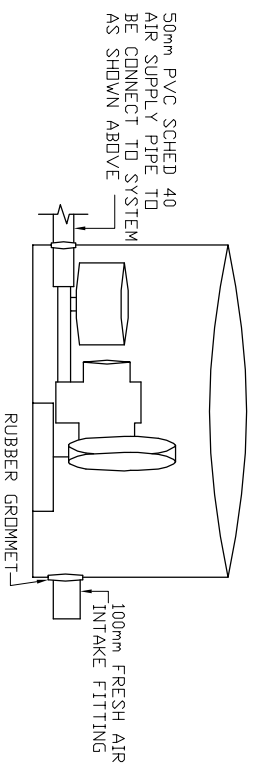
LID TOP VIEW



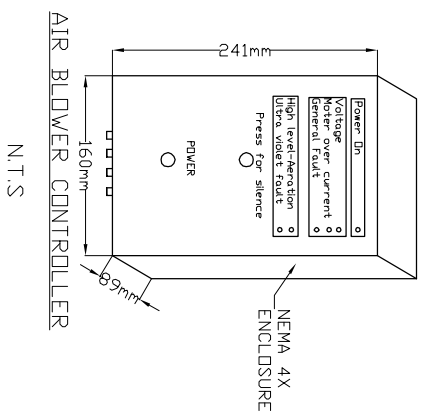
SIDE VIEW



TOP VIEW
N.T.S.



ELEVATION VIEW
N.T.S.



N.T.S.

MICROFAST® 0.9
TANK MANUFACTURED BY
FRASERWAY PRECAST LTD

SYSTEM IS DELIVERED FACTORY
PRE-ASSEMBLED

1. CONCRETE TANK MANUFACTURER'S MODEL NO: 1-000-1PC-1CH REFER TO MANUFACTURERS SPECIFICATION FOR TANK AND BURIAL INSTALLATION GUIDELINES
2. OPERATING CONDITION
3,407 LITRES (900 us gals) (750 imp gals) PER DAY OF DOMESTIC RESIDENTIAL SEWAGE
3. TRASH COLLECTION TANK
SHALL BE A MINIMUM OF 1/2 AND A MAXIMUM OF 1.5 TIMES THE DAILY DESIGN FLOW AND PROVIDED BY OTHERS.
4. INFLUENT
BOD = 250 mg/l
TSS = 250 mg/l
FATS, OIL GREASES = 35 mg/l
5. EFFLUENT (capabilities)
BOD = 10 mg/l
TSS = 10 mg/l
TOTAL NITROGEN = 70% Reduction
6. VOLUMETRIC CAPACITY
SINGLE CHAMBER = 4,546 L
7. DRY SHIPPING WEIGHT = 2,955 kg
8. BURIAL DEPTH
MAXIMUM EARTH COVER (ND CLAY) 610mm
9. FOR INSTALLATION, REFER TO CSA B66, BC SEWERAGE SYSTEM STANDARD PRACTICE MANUAL AND INSTALLATION GUIDELINES PUBLISHED BY PINNACLE ENVIRONMENTAL TECHNOLOGIES INC.
10. DIMENSIONS in mm.
11. INLET AND OUTLET ACCEPT 100mm S/D COUPLING
12. EXTENSION FOR SERVICE ACCESS HATCHES AVAILABLE ON REQUEST.
13. MAXIMUM EARTH COVER AS MEASURED FROM TANK TOP CENTRE LINE (NOT INCLUDING RISERS) IS 610mm.
14. FOR HIGH WATER TABLE INSTALLATION CONTACT PINNACLE PRIOR TO ORDERING.
15. FOR VEHICLE TRAFFIC CONTACT PINNACLE PRIOR TO ORDERING.



Pinnacle Environmental Technologies Inc.
Mailing Add: P.O. Box 12112
Location: 22867-FraserHwy, Langley, BC
Ph: 604-514-7555 Fx: 604-514-7595
Email: info@peti.ca
WebSite: www.peti.ca

Drawing No:	FWP MCF 0.9-1-01	Project Title/Description MicroFAST 0.9
Revision No:	0	
Sheet No:	1 of 1	
Date:	12.Oct.2011	Drawn By: S. Mann
Scale:	1:50	