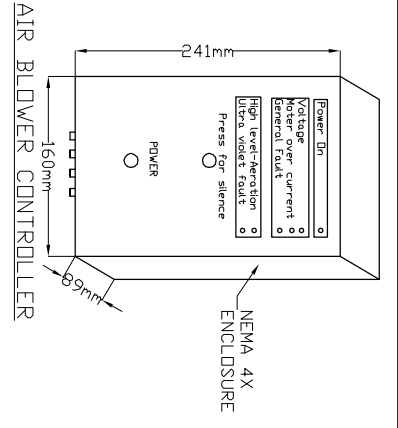
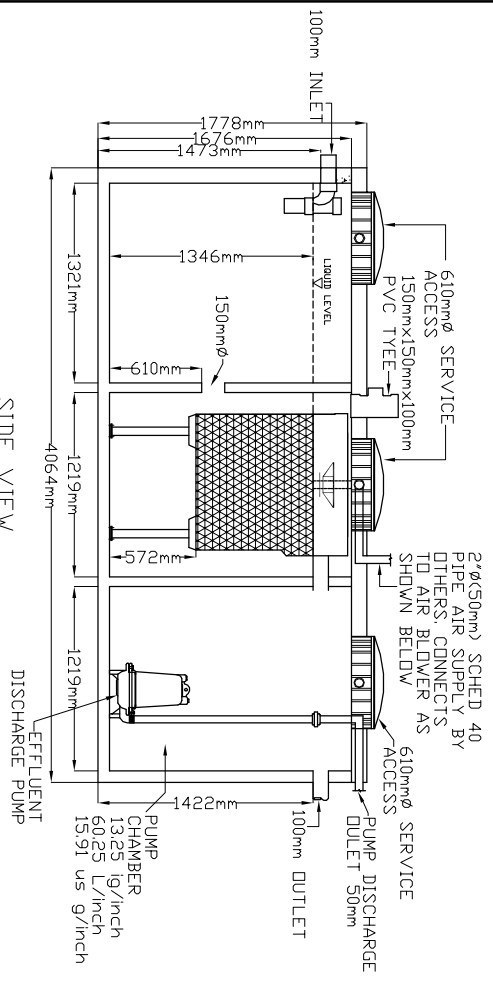


LID TOP VIEW  
N.T.S.

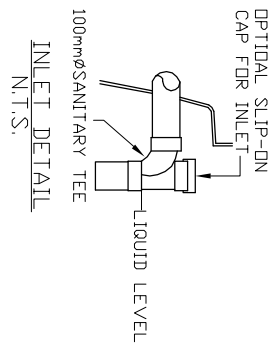


N.T.S.

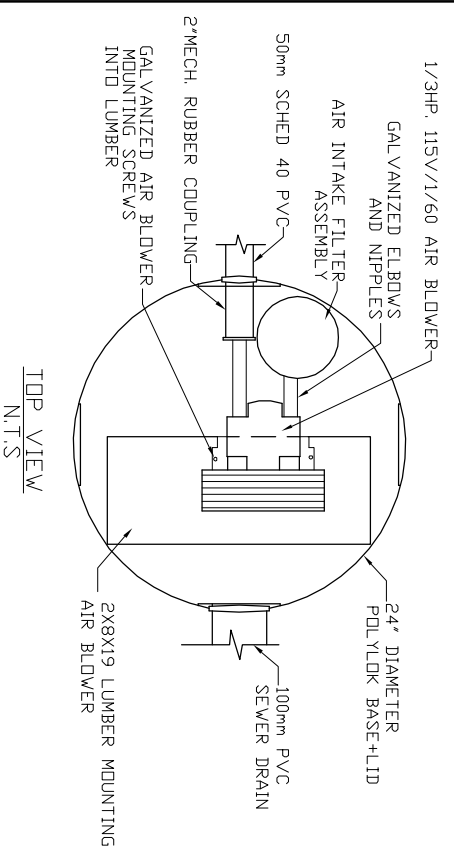


SIDE VIEW  
N.T.S.

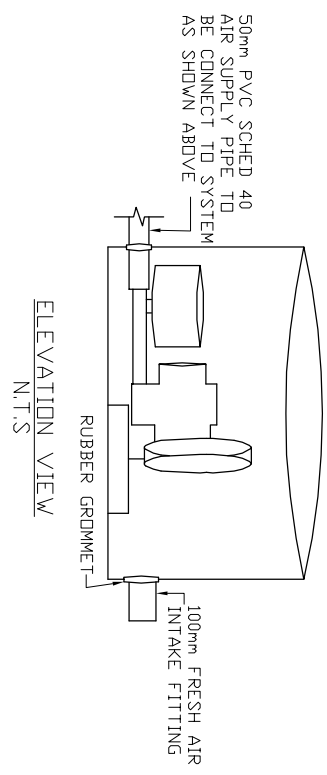
AIR BLOWER INGROUND VAULT



INLET DETAIL  
N.T.S.



TOP VIEW  
N.T.S.



ELEVATION VIEW  
N.T.S.

- MicroFAST® 0.75**  
TANK MANUFACTURED BY FRASERWAY PRECAST LTD
- SYSTEM IS DELIVERED FACTORY PRE-ASSEMBLED
- CONCRETE TANK MANUFACTURER'S MODEL NO: 2,000-1PC-3CH REFER TO MANUFACTURER'S SPECIFICATION FOR TANK AND BURIAL INSTALLATION GUIDELINES
  - OPERATING CONDITION  
2,841 LITRES (750 us gals) (625 imp gals) PER DAY OF DOMESTIC RESIDENTIAL SEWAGE
  - INFLUENT  
BOD = 250 mg/l  
TSS = 250 mg/l  
FATS, OIL GREASES = 35 mg/l
  - EFFLUENT (capabilities)  
BOD = 10 mg/l  
TSS = 10 mg/l  
TOTAL NITROGEN = 70% Reduction
  - VOLUMETRIC CAPACITY  
1ST CHAMBER 2,893 LITRES  
2ND CHAMBER 2,893 LITRES  
3RD CHAMBER 3,407 LITRES
  - DRY SHIPPING WEIGHT  
10,167 kg
  - BURIAL DEPTH  
MAXIMUM EARTH COVER (ND CLAY) 610mm
  - FOR INSTALLATION, REFER TO CSA B66, BC SEWERAGE SYSTEM STANDARD PRACTICE MANUAL AND INSTALLATION GUIDELINES PUBLISHED BY PINNACLE ENVIRONMENTAL TECHNOLOGIES INC.
  - DIMENSIONS in mm.
  - INLET AND OUTLET ACCEPT 100mm S/D COUPLING
  - EXTENSION FOR SERVICE ACCESS HATCHES AVAILABLE ON REQUEST.
  - MAXIMUM EARTH COVER AS MEASURED FROM TANK TOP CENTRE LINE (NOT INCLUDING RISERS) IS 610mm.
  - FOR HIGH WATER TABLE INSTALLATION CONTACT PINNACLE PRIOR TO ORDERING.
  - FOR VEHICLE TRAFFIC CONTACT PINNACLE PRIOR TO ORDERING.

Drawing No:	FWP MCF 0.75-3-01	Project Title/Description <b>MicroFAST® 0.75</b>	Pinnacle Environmental Technologies Inc. Mailing Address: 22867-Fraser Hwy, Langley, BC, V3A 9J1 Ph: 604-514-7555 Fax: 604-514-7595 Email: info@peti.ca WebSite: www.peti.ca	
Revision No:	0			
Sheet No:	1 of 1			
Date:	12.Oct.2011	Drawn By: S. Mann	Scale: 1:50	