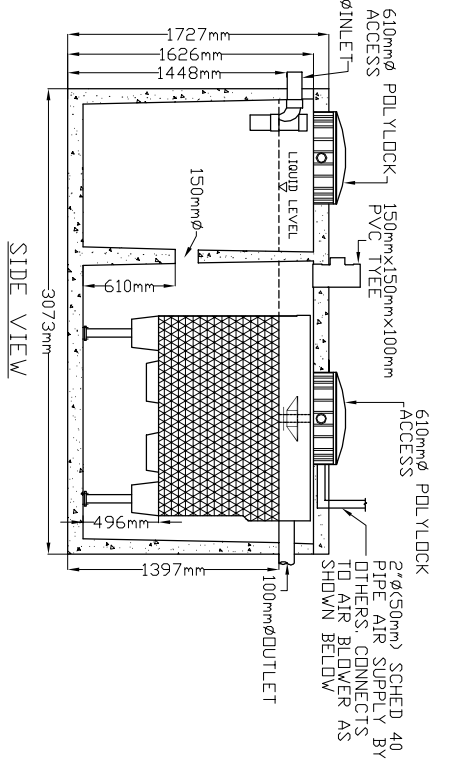
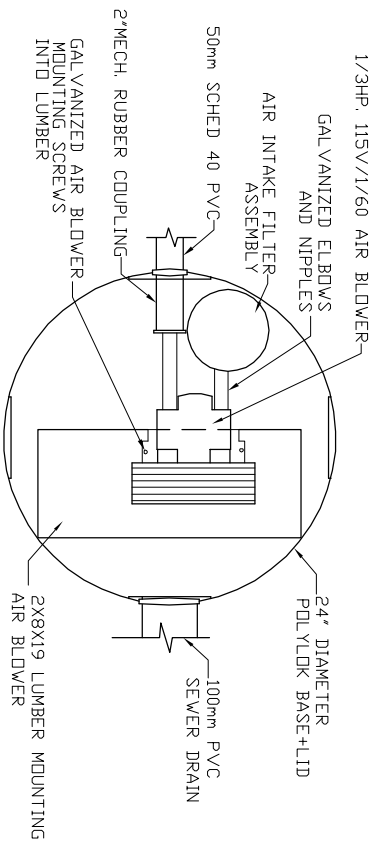


LID TOP VIEW

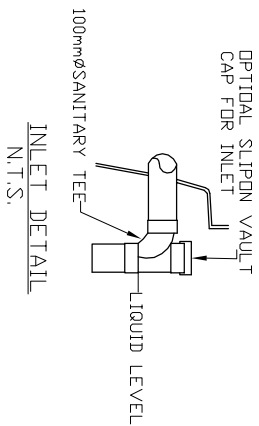


SIDE VIEW

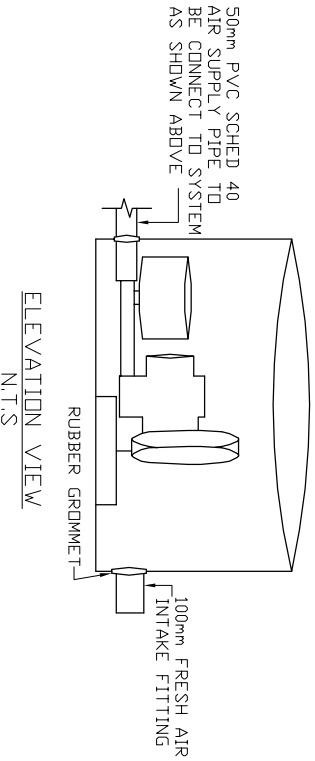
**AIR BLOWER INGROUND VAULT**



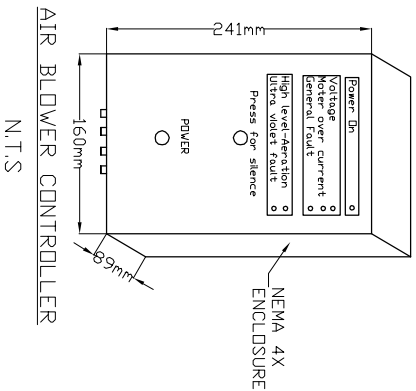
TOP VIEW  
N.T.S.



INLET DETAIL  
N.T.S.



ELEVATION VIEW  
N.T.S.



AIR BLOWER CONTROLLER  
N.T.S.

- MicroFAST® 0.75  
TANK MANUFACTURED BY FRASERWAY PRECAST LTD
- SYSTEM IS DELIVERED FACTORY PRE-ASSEMBLED
- CONCRETE TANK MANUFACTURER'S MODEL NO: 1200-IPC-2CH REFER TO MANUFACTURER'S SPECIFICATION FOR TANK AND BURIAL INSTALLATION GUIDELINES
  - OPERATING CONDITION 2,841 LITRES (750 us gals) (625 imp gals) PER DAY OF DOMESTIC RESIDENTIAL SEWAGE
  - INFLUENT
    - BOD = 250 mg/l
    - TSS = 250 mg/l
    - FATS, OIL GREASES = 35 mg/l
  - EFFLUENT (capabilities)
    - BOD = 10 mg/l
    - TSS = 10 mg/l
    - TOTAL NITROGEN = 70% Reduction
  - VOLUMETRIC CAPACITY
    - 1ST CHAMBER 1,800 LITRES
    - 2ND CHAMBER 3,655 LITRES
  - DRY SHIPPING WEIGHT 6,092 kg
  - BURIAL DEPTH MAXIMUM EARTH COVER (ND CLAY) 610mm
  - FOR INSTALLATION, REFER TO CSA B66, BC SEWERAGE SYSTEM STANDARD PRACTICE MANUAL AND INSTALLATION GUIDELINES PUBLISHED BY PINNACLE ENVIRONMENTAL TECHNOLOGIES INC.
  - DIMENSIONS in mm.
  - INLET AND OUTLET ACCEPT 100mm S/D COUPLING
  - EXTENSION FOR SERVICE ACCESS HATCHES AVAILABLE ON REQUEST.
  - MAXIMUM EARTH COVER AS MEASURED FROM TANK TOP CENTRE LINE (NOT INCLUDING RISERS) IS 610mm.
  - FOR HIGH WATER TABLE INSTALLATION CONTACT PINNACLE PRIOR TO ORDERING.
  - FOR VEHICLE TRAFFIC CONTACT PINNACLE PRIOR TO ORDERING.

Drawing No:	FWP MCF 0.75-2-01	Project Title/Description  MicroFAST 0.75	Pinnacle Environmental Technologies Inc. Mailing Add: P.O. Box 12112 Langley, BC, V3A 9J1 Ph: 604-514-7555 Fax: 604-514-7595 Email: info@peti.ca WebSite: www.peti.ca		
Revision No:	0				
Sheet No:	1 of 1				
Drawn By:	S. Mann	Scale:	1:50	Date:	12.Oct.2011