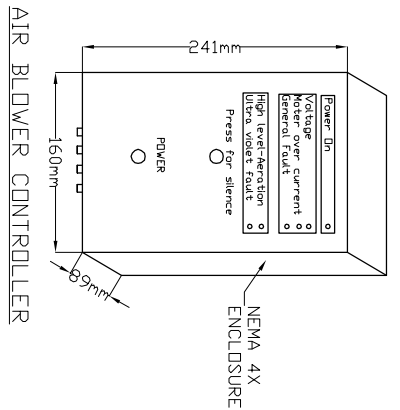
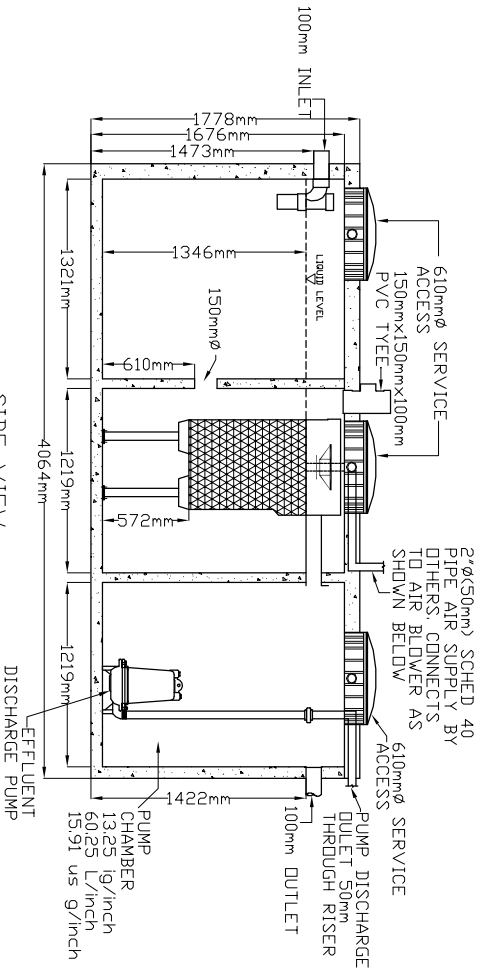


LID TOP VIEW

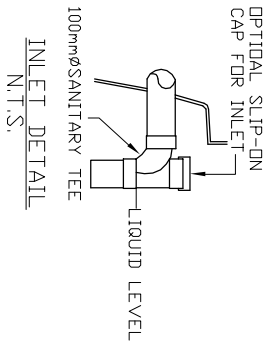


N.T.S.

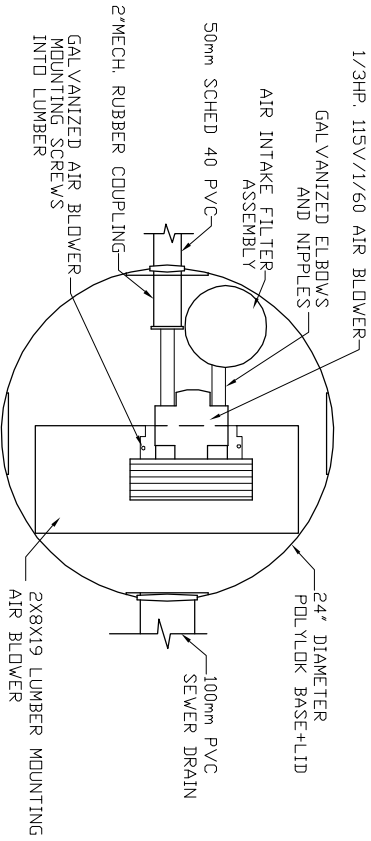


AIR BLOWER INGROUND VAULT

SIDE VIEW

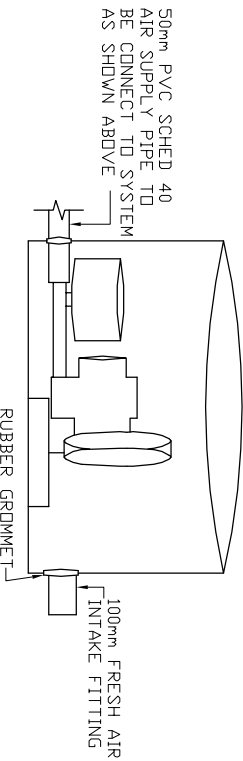


N.T.S.



TOP VIEW


N.T.S.



ELEVATION VIEW

N.T.S.

- MicroFAST® 0.6
TANK MANUFACTURED BY
FRASERWAY PRECAST LTD
- SYSTEM IS DELIVERED FACTORY
PRE-ASSEMBLED
1. CONCRETE TANK MANUFACTURER'S MODEL
NO. 2,000-IPC-3CH
REFER TO MANUFACTURER'S SPECIFICATION
FOR TANK AND BURAL
INSTALLATION GUIDELINES
2. OPERATING CONDITION
PER DAY OF DOMESTIC RESIDENTIAL SEWAGE
2,273 LITRES (600 us gals) (500 imp gals)
3. INFLUENT
BOD = 250 mg/l
TSS = 250 mg/l
FATS, OIL GREASES = 35 mg/l
4. EFFLUENT (capabilities)
BOD = 10 mg/l
TSS = 10 mg/l
TOTAL NITROGEN = 70% Reduction
5. VOLUMETRIC CAPACITY
1ST CHAMBER 2,892 LITRES
2ND CHAMBER 2,893 LITRES
3RD CHAMBER 3,407 LITRES
6. DRY SHIPPING WEIGHT
10,167 kg
7. BURIAL DEPTH
MAXIMUM EARTH COVER (ND CLAY) 610mm
8. FOR INSTALLATION, REFER TO CSA B66,
BC SEWERAGE SYSTEM STANDARD
PRACTICE MANUAL AND INSTALLATION
GUIDELINES PUBLISHED BY PINNACLE
ENVIRONMENTAL TECHNOLOGIES INC.
9. DIMENSIONS in mm
10. INLET AND OUTLET ACCEPT 100mm S/D
COUPLING
11. EXTENSION FOR SERVICE ACCESS
HATCHES AVAILABLE ON REQUEST.
12. MAXIMUM EARTH COVER AS MEASURED
FROM TANK TOP CENTRE LINE
(NOT INCLUDING RISERS) IS 610mm.
13. FOR HIGH WATER TABLE INSTALLATION
CONTACT PINNACLE PRIOR TO
ORDERING.
14. FOR VEHICLE TRAFFIC CONTACT PINNACLE
PRIOR TO ORDERING.

Drawing No:	FWP MCF 0.6-3-01	Project Title/Description	Pinnacle Environmental Technologies Inc. Mailing Add: P.O. Box 12112 Langley, BC, V3A 9J Ph: 604-514-7555 Fx: 604-514-7595 Email: info@peti.ca WebSite: www.peti.ca
Revision No:	0		
Sheet No:	1 of 1		
Date:	12.Oct.2011	Drawn By: S. Mann	
Scale:	1:50		