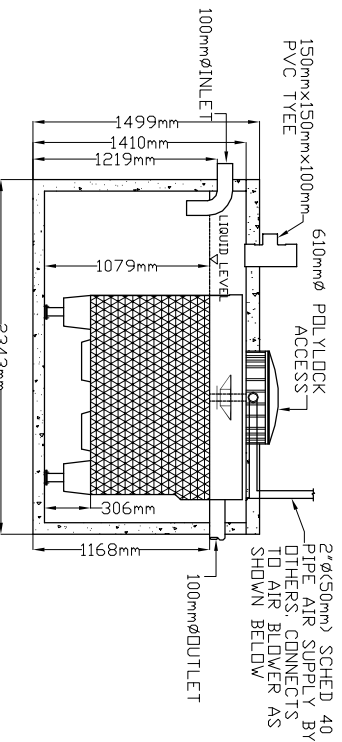
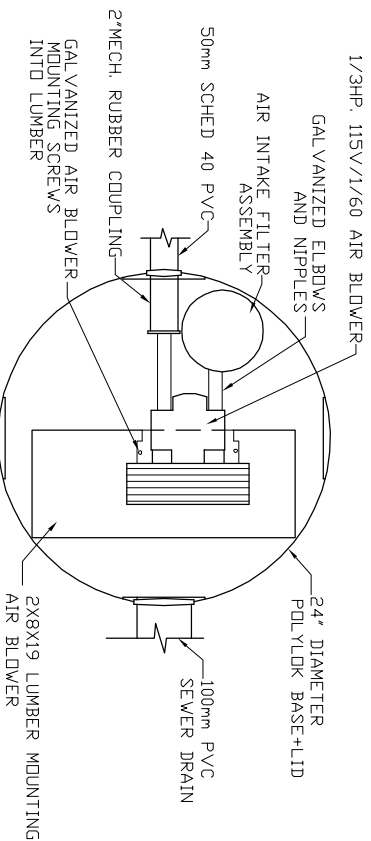


LID TOP VIEW

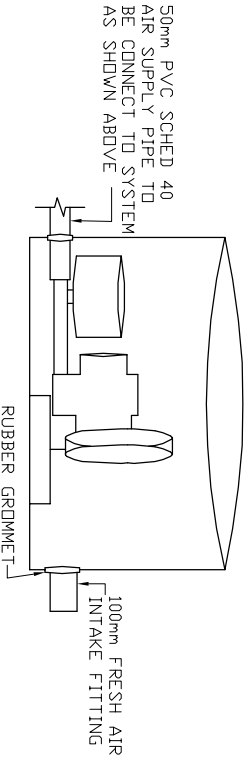


SIDE VIEW

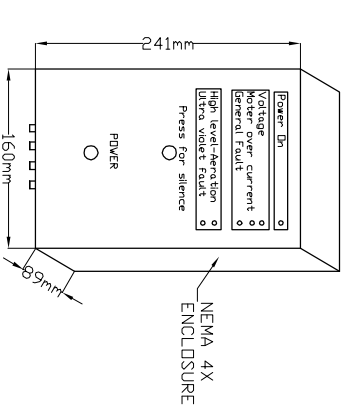
AIR BLOWER INGROUND VAULT



TOP VIEW
N.T.S.

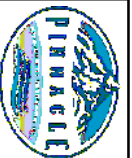


ELEVATION VIEW
N.T.S.



AIR BLOWER CONTROLLER
N.T.S.

- MicroFAST® 0.6
TANK MANUFACTURED BY FRASERWAY PRECAST LTD
SYSTEM IS DELIVERED FACTORY PRE-ASSEMBLED
1. CONCRETE TANK MANUFACTURER'S MODEL NO. 500-IPC-10H REFER TO MANUFACTURERS SPECIFICATION FOR TANK AND BURIAL INSTALLATION GUIDELINES
2. OPERATING CONDITION 2,273 LITRES (600 us gals) (500 Imp gals) PER DAY OF DOMESTIC RESIDENTIAL SEWAGE
3. TRASH COLLECTION TANK SHALL BE A MINIMUM OF 1/2 AND A MAXIMUM OF 1/2 TIMES THE DAILY DESIGN FLOW AND PROVIDED BY OTHERS.
4. INFLUENT
BOD = 250 mg/l
TSS = 250 mg/l
FATS, OIL GREASES = 35 mg/l
5. EFFLUENT (capabilities)
BOD = 10 mg/l
TSS = 10 mg/l
TOTAL NITROGEN = 70% Reduction
6. VOLUMETRIC CAPACITY SINGLE CHAMBER = 2,273 L
7. DRY SHIPPING WEIGHT = 2268 kg
8. BURIAL DEPTH MAXIMUM EARTH COVER (NO CLAY) 610mm
9. FOR INSTALLATION, REFER TO CSA B66, BC SEWERAGE SYSTEM STANDARD PRACTICE MANUAL AND INSTALLATION GUIDELINES PUBLISHED BY PINNACLE ENVIRONMENTAL TECHNOLOGIES INC.
10. DIMENSIONS in mm.
11. INLET AND OUTLET ACCEPT 100mm S/D COUPLING
12. EXTENSION FOR SERVICE ACCESS HATCHES AVAILABLE ON REQUEST.
13. MAXIMUM EARTH COVER AS MEASURED FROM TANK TOP CENTRE LINE (NOT INCLUDING RISERS) IS 610mm.
14. FOR HIGH WATER TABLE INSTALLATION CONTACT PINNACLE PRIOR TO ORDERING.
15. FOR VEHICLE TRAFFIC CONTACT PINNACLE PRIOR TO ORDERING.



Pinnacle Environmental Technologies Inc.
Mailing Add: P.O. Box 12112
Location: 22867-FraserHwy, Langley, BC
Ph: 604-514-7555 Fx: 604-514-7595
Email: info@peti.ca
WebSite: www.peti.ca

Project Title/Description
MicroFAST 0.6

Drawn By: S. Mann
Scale: 1:50
Date: 12.Oct.2011

Drawing No: FWP MCF 0.6-1-01
Revision No: 0
Sheet No: 1 of 1

Drawing No:
Revision No:
Sheet No: