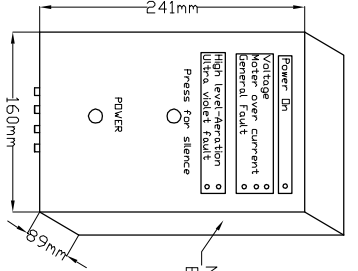
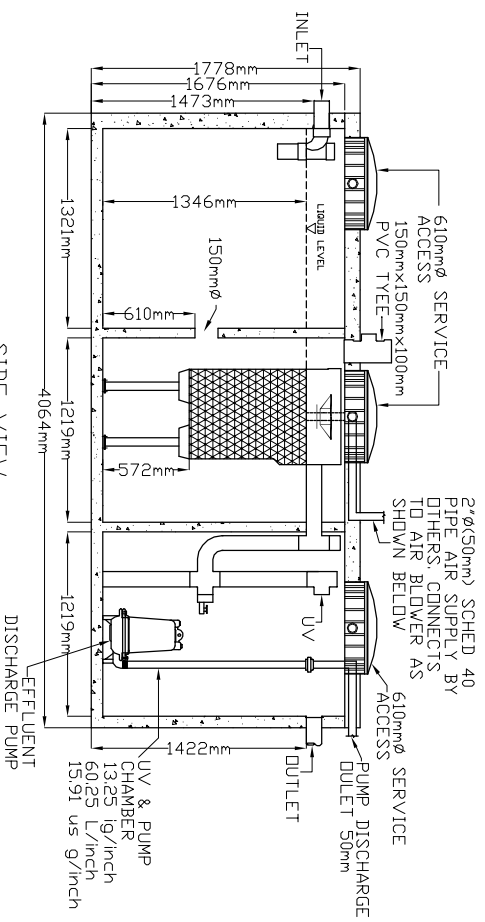


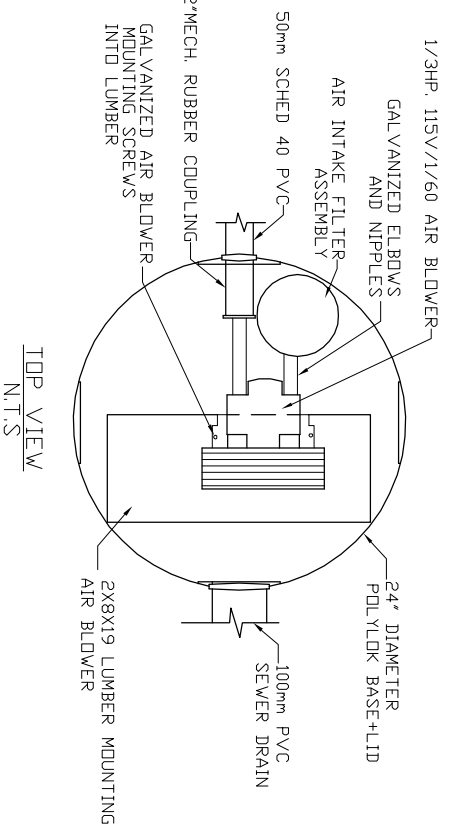
LID TOP VIEW



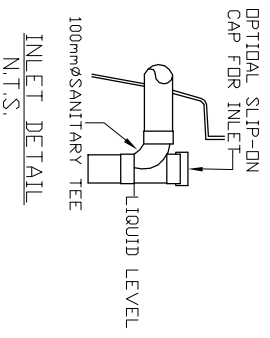
AIR BLOWER CONTROLLER  
N.T.S.



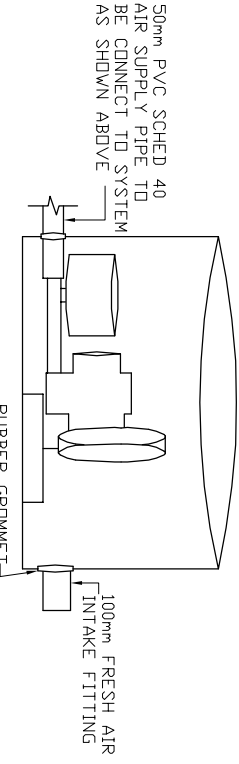
AIR BLOWER VAULT  
SIDE VIEW



TOP VIEW  
N.T.S.



INLET DETAIL  
N.T.S.



ELEVATION VIEW  
N.T.S.

- MicroFAST® 0.5**  
TANK MANUFACTURED BY FRASERWAY PRECAST LTD
- SYSTEM IS DELIVERED PRE-ASSEMBLED
1. CONCRETE TANK MANUFACTURER'S MODEL NDI: 2-000-IPC-3CH REFER TO MANUFACTURERS SPECIFICATION FOR TANK AND BURIAL INSTALLATION GUIDELINES
  2. OPERATING CONDITION 1,900 LITRES (500 us gal) (415 imp gal) PER DAY OF DOMESTIC RESIDENTIAL SEWAGE
  3. INFLUENT  
BOD = 250 mg/l  
TSS = 250 mg/l  
FATS, OIL GREASES = 35 mg/l
  4. EFFLUENT (capabilities)  
BOD = 10 mg/l  
TSS = 10 mg/l  
TOTAL NITROGEN = 70% Reduction  
FECAL COLIFORM = < 400 CFU/100ml
  5. VOLUMETRIC CAPACITY  
1ST CHAMBER 2,893 LITRES  
2ND CHAMBER 2,893 LITRES  
3RD CHAMBER 3,407 LITRES
  6. DRY SHIPPING WEIGHT 10,167 kg
  7. BURIAL DEPTH MAXIMUM EARTH COVER (ND CLAY) 610mm
  8. FOR INSTALLATION, REFER TO CSA B66, BC SEWERAGE SYSTEM STANDARD PRACTICE MANUAL AND INSTALLATION ENVIRONMENTAL TECHNOLOGIES INC.
  9. DIMENSIONS in mm.
  10. INLET AND OUTLET ACCEPT 100mm S/D COUPLING
  11. EXTENSION FOR SERVICE ACCESS HATCHES AVAILABLE ON REQUEST.
  12. MAXIMUM EARTH COVER AS MEASURED FROM TANK TOP CENTRE LINE (NOT INCLUDING RISERS) IS 610mm.
  13. FOR HIGH WATER TABLE INSTALLATION CONTACT PINNACLE PRIOR TO ORDERING.
  14. CONTACT PINNACLE FOR VEHICLE LOADING

Drawing No:	FWP MCF 0.5-3-01-UV	Date: 12.Oct.2011	Project Title/Description	Pinnacle Environmental Technologies Inc. Mailing Add: 22867-FraserHwy, P.O. Box 12112 Langley, BC Langley, BC V3A 9J Ph: 604-514-7555 Fax: 604-514-7595 Email: info@peti.ca WebSite: www.peti.ca	
Revision No:	0		MicroFAST® 0.5 & PROTECTOR UV SYSTEM		
Sheet No:	1 of 1		Drawn By: S. Mann Scale: 1:50		