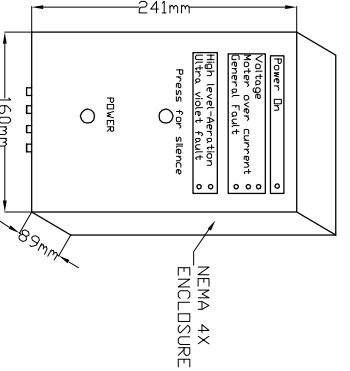
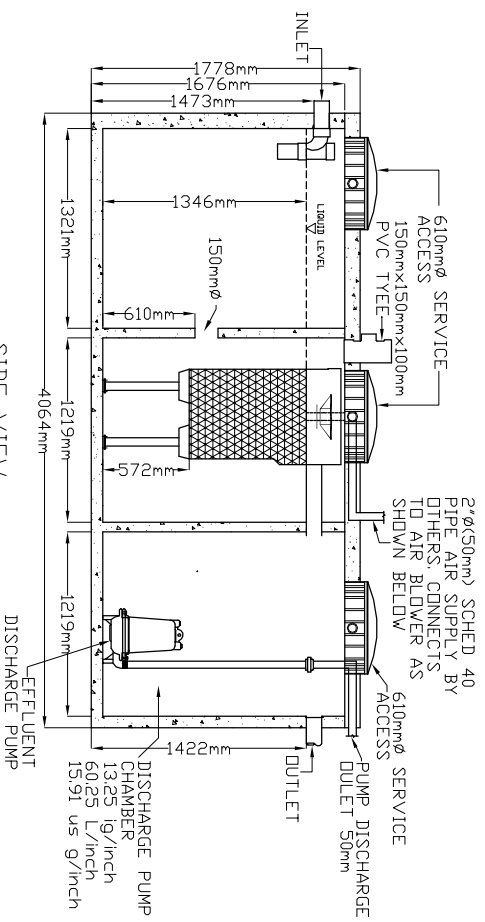


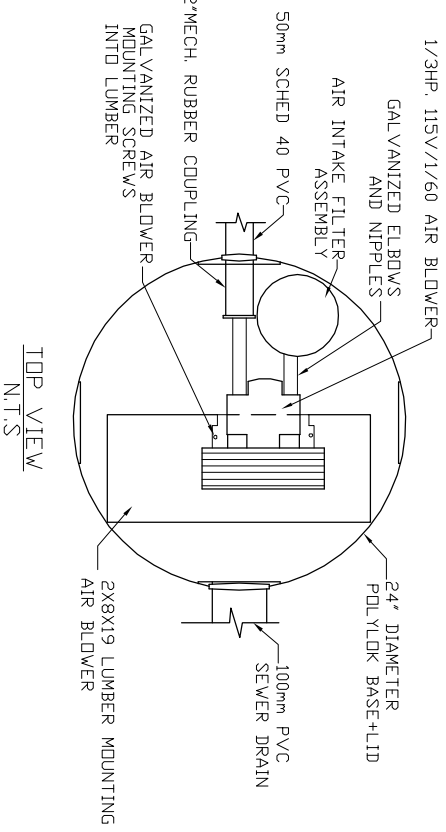
LID TOP VIEW



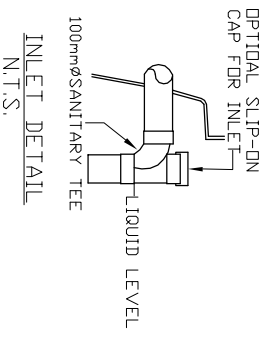
AIR BLOWER CONTROLLER  
N.T.S.



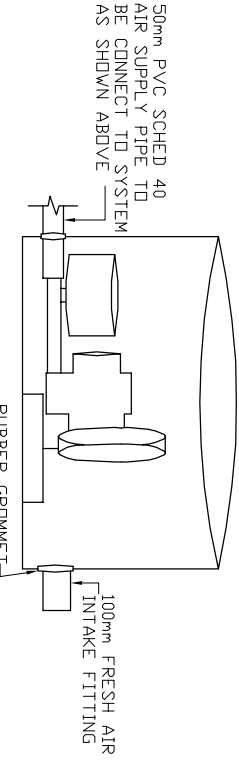
AIR BLOWER VAULT  
SIDE VIEW



TOP VIEW  
N.T.S.




INLET DETAIL  
N.T.S.



ELEVATION VIEW  
N.T.S.

- MicroFAST® 0.5**  
TANK MANUFACTURED BY FRASERWAY PRECAST LTD
- SYSTEM IS DELIVERED FACTORY PRE-ASSEMBLED
1. CONCRETE TANK MANUFACTURER'S MODEL NO: 2-000-IPC-3CH REFER TO MANUFACTURERS SPECIFICATION FOR TANK AND BURIAL INSTALLATION GUIDELINES
  2. OPERATING CONDITION  
1,900 LITRES (500 us gal) (416 imp gal) PER DAY OF DOMESTIC RESIDENTIAL SEWAGE
  3. INFLUENT  
BOD = 250 mg/l  
TSS = 250 mg/l  
FATS, OIL GREASES = 35 mg/l
  4. EFFLUENT (capabilities)  
BOD = 10 mg/l  
TSS = 10 mg/l  
TOTAL NITROGEN = 70% Reduction
  5. VOLUMETRIC CAPACITY  
1ST CHAMBER 2,893 LITRES  
2ND CHAMBER 2,893 LITRES  
3RD CHAMBER 3,407 LITRES
  6. DRY SHIPPING WEIGHT  
10,167 kg
  7. BURIAL DEPTH  
MAXIMUM EARTH COVER (AND CLAY) 610mm
  8. FOR INSTALLATION, REFER TO CSA B66, BC SEWERAGE SYSTEM STANDARD PRACTICE MANUAL AND INSTALLATION GUIDELINES PUBLISHED BY PINNACLE ENVIRONMENTAL TECHNOLOGIES INC.
  9. DIMENSIONS in mm.
  10. INLET AND OUTLET ACCEPT 100mm S/D COUPLING
  11. EXTENSION FOR SERVICE ACCESS HATCHES AVAILABLE ON REQUEST.
  12. MAXIMUM EARTH COVER AS MEASURED FROM TANK TOP CENTRE LINE (NOT INCLUDING RISERS) IS 610mm.
  13. FOR HIGH WATER TABLE INSTALLATION CONTACT PINNACLE PRIOR TO ORDERING.
  14. CONTACT PINNACLE FOR VEHICLE LOADING

Drawing No:	FWP MCF 0.5-3-01	Project Title/Description	Pinnacle Environmental Technologies Inc. Mailing Add: P.O. Box 12112 Langley, BC, V3A 9J Ph: 604-514-7555 Fx: 604-514-7595 Email: info@peti.ca WebSite: www.peti.ca
Revision No:	0		
Sheet No:	1 of 1	Drawn By: S. Mann	
Date:	12.Oct.2011	Scale: 1:50	