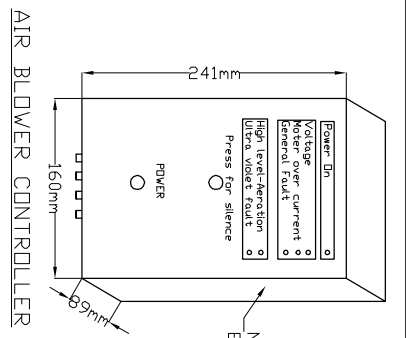
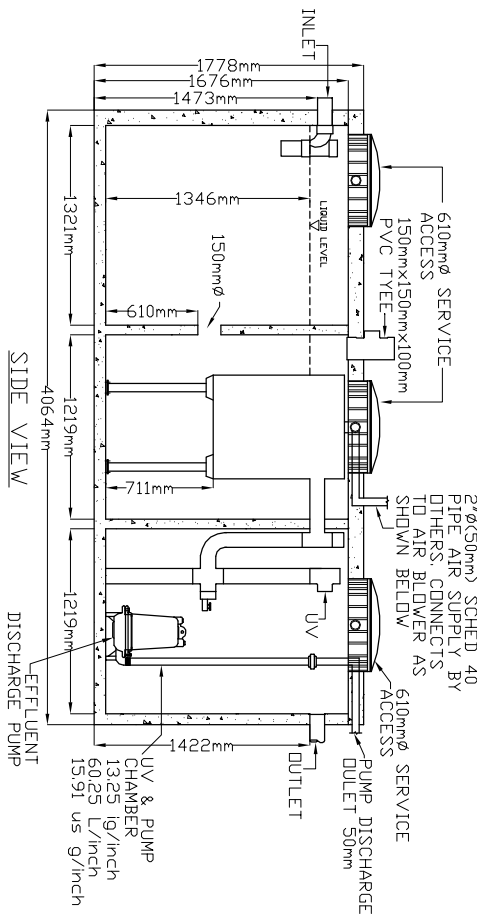


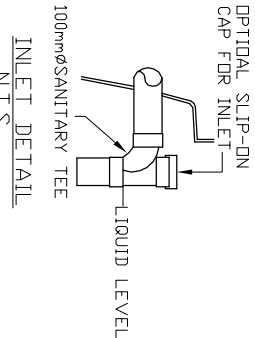
LID TOP VIEW



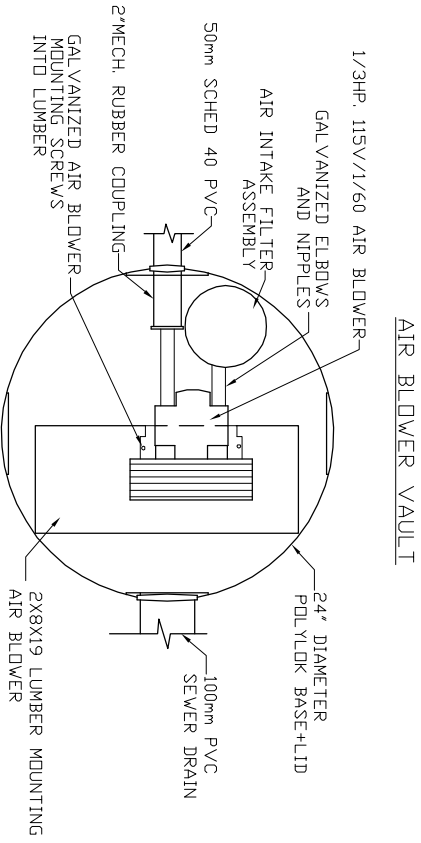
N.T.S.



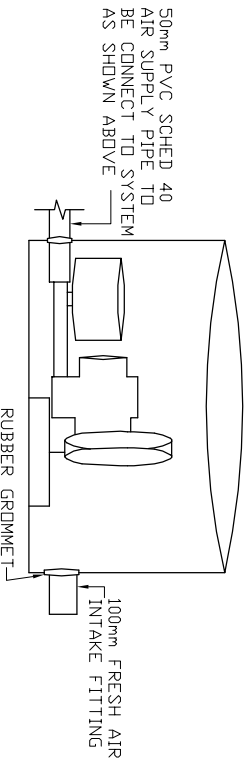
SIDE VIEW



N.T.S.



TOP VIEW N.T.S.



ELEVATION VIEW N.T.S.

- MicroFAST® 0.375 TANK MANUFACTURED BY FRASERWAY PRECAST LTD
- SYSTEM IS DELIVERED FACTORY PRE-ASSEMBLED
- CONCRETE TANK MANUFACTURER'S MODEL NO: 2,000-IPC-3CH REFER TO MANUFACTURERS INSTALLATION INSTRUCTIONS & GUIDELINES
 - OPERATING CONDITION
1,420 LITRES (375us gals) (312 imp gals) PER DAY OF DOMESTIC RESIDENTIAL SEWAGE
 - INFLUENT
BOD = 250 mg/l
TSS = 250 mg/l
FATS, OIL GREASES = 35 mg/l
 - EFFLUENT (capabilities)
BOD = 10 mg/l
TSS = 10 mg/l
FECAL COLIFORM = < 400 CFU/100 ml
TOTAL NITROGEN = 70% Reduction
 - VOLUMETRIC CAPACITY
1ST CHAMBER 2,893 LITRES
2ND CHAMBER 2,893 LITRES
3RD CHAMBER 3,407 LITRES
 - DRY SHIPPING WEIGHT 10,617kg
 - BURIAL DEPTH
MAXIMUM EARTH COVER (NO CLAY) 610mm
 - FOR INSTALLATION, REFER TO CSA B66, BC SEWERAGE SYSTEM STANDARD PRACTICE MANUAL AND INSTALLATION GUIDELINES PUBLISHED BY PINNACLE ENVIRONMENTAL TECHNOLOGIES INC.
 - DIMENSIONS in mm.
 - INLET AND OUTLET ACCEPT 100mm S/D COUPLING
 - EXTENSION FOR SERVICE ACCESS HATCHES AVAILABLE ON REQUEST.
 - MAXIMUM EARTH COVER AS MEASURED FROM TANK TOP CENTRE LINE (NOT INCLUDING RISERS) IS 610mm.
 - FOR HIGH WATER TABLE INSTALLATION CONTACT PINNACLE PRIOR TO ORDERING.
 - CONTACT PINNACLE FOR VEHICLE LOADING

Drawing No:	FWP MCF 0.375-3-01	Project Title/Description	Pinnacle Environmental Technologies Inc. Mailing Add: P.O. Box 12112 Langley, BC, V3A 9J1 Ph: 604-514-7555 Fx: 604-514-7595 Email: info@peti.ca WebSite: www.peti.ca
Revision No:	0		
Sheet No:	1 of 1	Drawn By: S. Mann	
Date:	12.Oct.2011	Scale: 1:50	