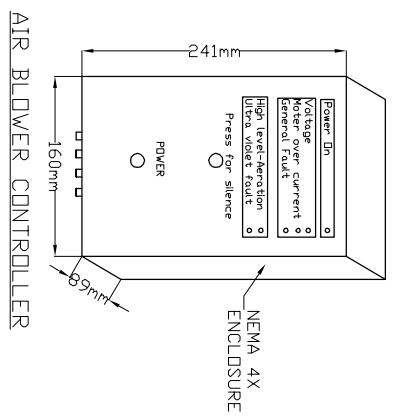
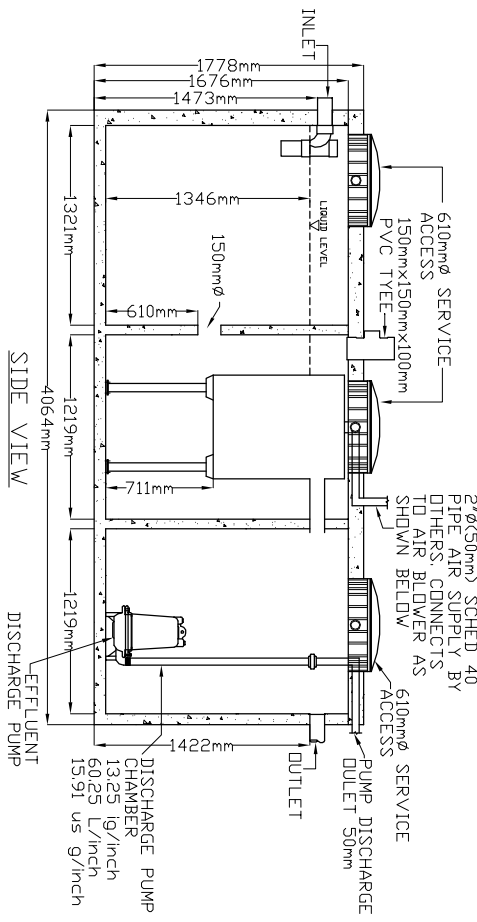


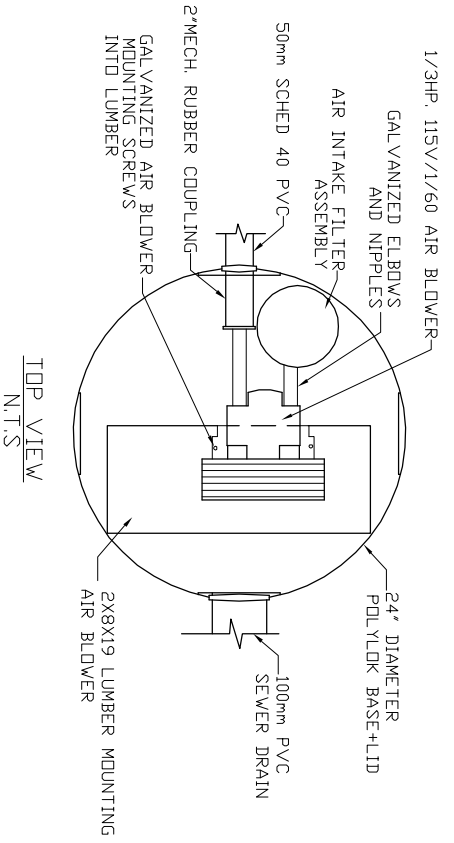
LID TOP VIEW



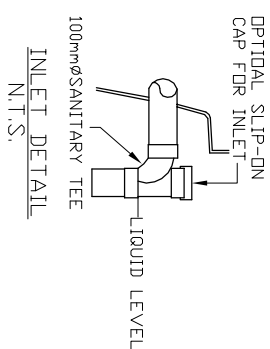
AIR BLOWER CONTROLLER
N.T.S.



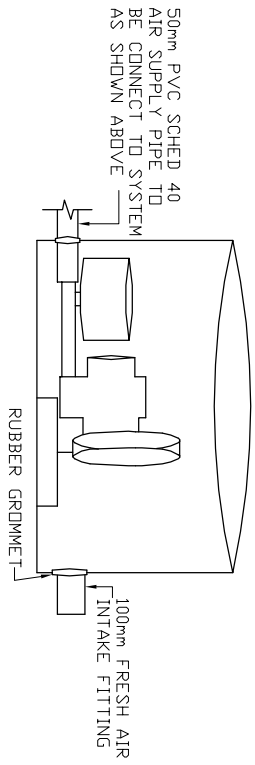
AIR BLOWER VAULT



TOP VIEW
N.T.S.



INLET DETAIL
N.T.S.



ELEVATION VIEW
N.T.S.

MicroFAST®0.375
TANK MANUFACTURED BY
FRASERWAY PRECAST LTD

SYSTEM IS DELIVERED FACTORY
PRE-ASSEMBLED
1. CONCRETE TANK MANUFACTURER'S MODEL
NO. 2-000-IPC-3CH
REFER TO MANUFACTURERS SPECIFICATION
FOR TANK AND BURIAL
INSTALLATION GUIDELINES

2. OPERATING CONDITIONS
1,420 LITRES (375us gals) (312 imp gals)
PER DAY OF DOMESTIC RESIDENTIAL SEWAGE
INFLUENT

3. INFLUENT
BOD = 250 mg/l
TSS = 250 mg/l
FATS, OIL GREASES = 35 mg/l

4. EFFLUENT (capabilities)
BOD = 10 mg/l
TSS = 10 mg/l
TOTAL NITROGEN = 70% Reduction

5. VOLUMETRIC CAPACITY
1ST CHAMBER 2,893 LITRES
2ND CHAMBER 2,893 LITRES
3RD CHAMBER 3,407 LITRES

6. DRY SHIPPING WEIGHT
10617kg

7. BURIAL DEPTH
MAXIMUM EARTH COVER (ND CLAY) 610mm

8. FOR INSTALLATION, REFER TO CSA B66,
BC SEWERAGE SYSTEM STANDARD
PRACTICE MANUAL AND INSTALLATION
GUIDELINES PUBLISHED BY PINNACLE
ENVIRONMENTAL TECHNOLOGIES INC.

9. DIMENSIONS in mm.

10. INLET AND OUTLET ACCEPT 100mm S/D
COUPLING

11. EXTENSION FOR SERVICE ACCESS
HATCHES AVAILABLE ON REQUEST.

12. MAXIMUM EARTH COVER AS MEASURED
FROM TANK TOP CENTRE LINE
(NOT INCLUDING RISERS) IS 610mm.

13. FOR HIGH WATER TABLE INSTALLATION
CONTACT PINNACLE PRIOR TO
ORDERING.

14. FOR VEHICLE TRAFFIC CONTACT PINNACLE
PRIOR TO ORDERING.

Drawing No:	FWP MCF 0.375-3-01	Project Title/Description	Pinnacle Environmental Technologies Inc. Mailing Add: Location: P.O. Box 12112 22867-FraserHwy, Langley, BC, V3A 9J Langley, BC Ph: 604-514-7555 Fx: 604-514-7595 Email: info@peti.ca WebSite: www.peti.ca
Revision No:	0		
Sheet No:	1 of 1	Drawn By: S. Mann	
Date:	12.Oct.2011	Scale:	1:50

