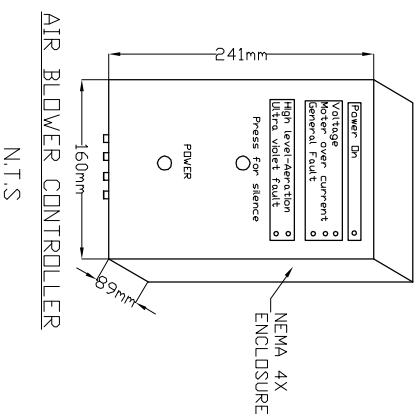
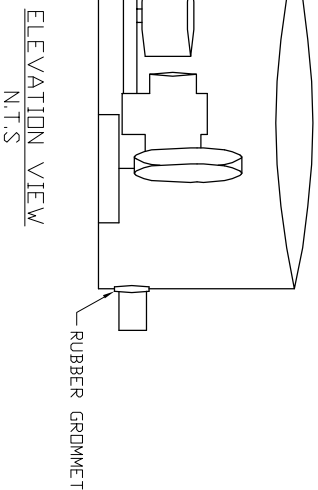
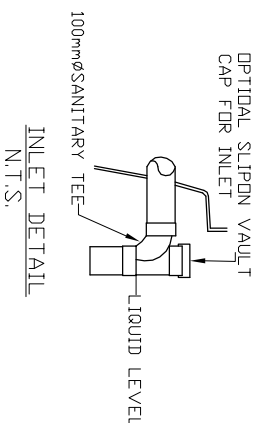
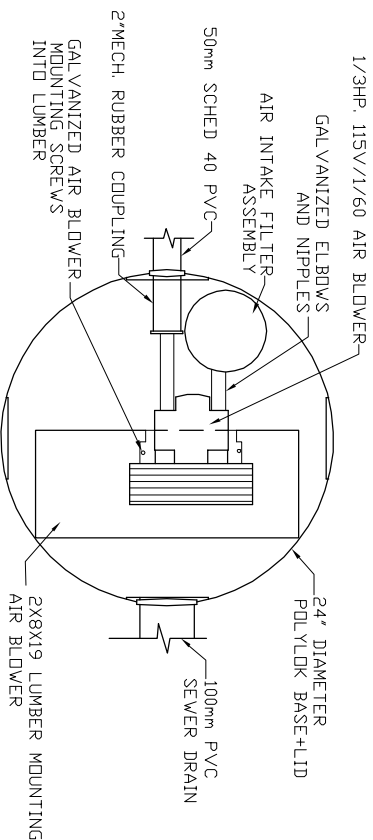


AIR BLOWER INGROUND VAULT



<p>MicroFAST® 0.375 TANK MANUFACTURED BY FRASERWAY PRECAST LTD SYSTEM IS DELIVERED FACTORY PRE-ASSEMBLED CONCRETE TANK MANUFACTURER'S MODEL NO: 600-1PC-2CH REFER TO MANUFACTURERS SPECIFICATION FOR TANK AND BURIAL INSTALLATION GUIDELINES OPERATING CONDITION 1,420 LITRES (375 us gals) (312 imp gals) PER DAY OF DOMESTIC RESIDENTIAL SEWAGE INFLUENT BOD = 250 mg/l TSS = 250 mg/l FATS, OIL GREASES = 35 mg/l EFFLUENT (capabilities) BOD = 10mg/l TSS = 10mg/l TOTAL NITROGEN = 70% Reduction VOLUMETRIC CAPACITY 1ST CHAMBER 909 LITRES 2ND CHAMBER 1,818 LITRES DRY SHIPPING WEIGHT 2,766 kg BURIAL DEPTH MAXIMUM EARTH COVER (ND CLAY) 610mm FOR INSTALLATION, REFER TO CSA B66, BC SEWERAGE SYSTEM STANDARD PRACTICE MANUAL AND INSTALLATION GUIDELINES PUBLISHED BY PINNACLE ENVIRONMENTAL TECHNOLOGIES INC. DIMENSIONS in mm INLET AND OUTLET ACCEPT 100mm S/D COUPLING EXTENSION FOR SERVICE ACCESS HATCHES AVAILABLE ON REQUEST. MAXIMUM EARTH COVER AS MEASURED FROM TANK TOP CENTRE LINE (NOT INCLUDING RISERS) IS 610mm. FOR HIGH WATER TABLE INSTALLATION CONTACT PINNACLE PRIOR TO ORDERING. FOR VEHICLE TRAFFIC CONTACT PINNACLE PRIOR TO ORDERING.</p>	
--	--



Pinnacle Environmental Technologies Inc.
Mailing Add: P.O. Box 12112
Langley, BC, V3A 9J1
Ph: 604-514-7555
Email: info@peti.ca
WebSite: www.peti.ca

Project Title/Description
MicroFAST 0.375

Drawn By: S. Mann
Scale: 1:50
Date: 12.Oct.2011

Drawing No:	FWP MCF 0.375-2-01
Revision No:	0
Sheet No:	1 of 1