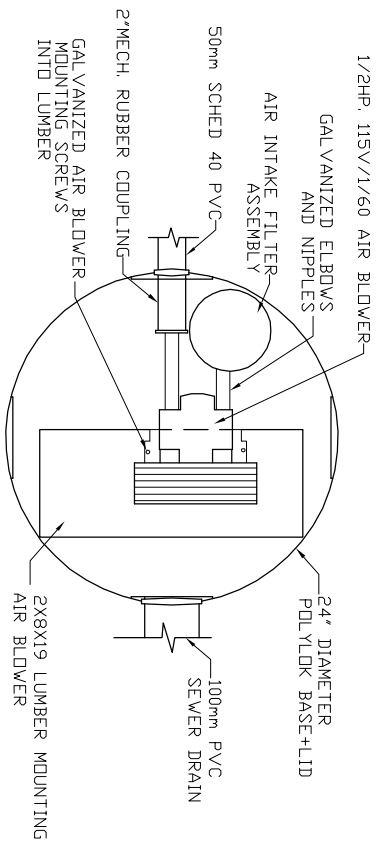
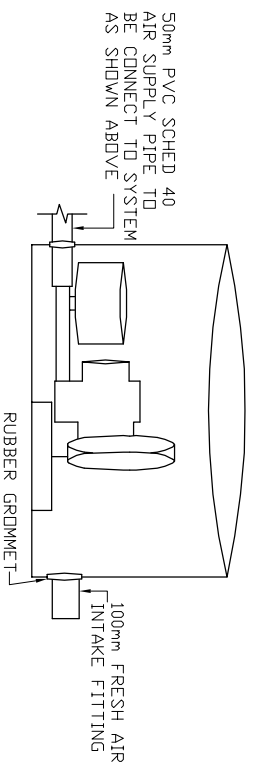


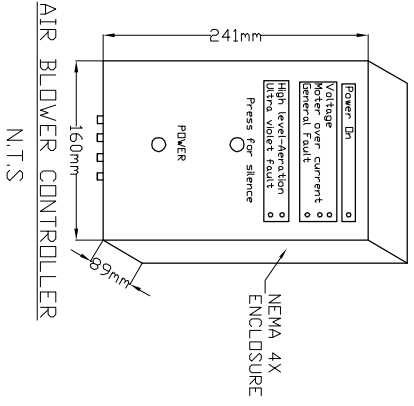
AIR BLOWER INGROUND VAULT



TOP VIEW
N.T.S.



ELEVATION VIEW
N.T.S.



- MicroFAST[®] 1.0
TANK MANUFACTURED BY DAN'S PRECAST LTD SYSTEM IS DELIVERED FACTORY PRE-ASSEMBLED
1. CONCRETE TANK MANUFACTURER'S MODEL NO: 1000-1PC-1CH REFER TO MANUFACTURERS SPECIFICATION FOR TANK AND BURIAL INSTALLATION GUIDELINES
 2. OPERATING CONDITION 3,791 LITRES (1000 us gals) (834 imp gals) PER DAY OF DOMESTIC RESIDENTIAL SEWAGE
 3. TRASH COLLECTION TANK SHALL BE A MINIMUM OF 1/2 AND A MAXIMUM OF 1.5 TIMES THE DAILY DESIGN FLOW AND PROVIDED BY OTHERS.
 4. INFLUENT
 - BOD = 250 mg/l
 - TSS = 250 mg/l
 - FATS, OIL GREASES = 35 mg/l
 5. EFFLUENT (capabilities)
 - BOD = 10 mg/l
 - TSS = 10 mg/l
 - TOTAL NITROGEN = 70% Reduction
 6. VOLUMETRIC CAPACITY SINGLE CHAMBER = 4,546 L
 7. DRY SHIPPING WEIGHT = 4,263 kg
 8. BURIAL DEPTH MAXIMUM EARTH COVER (NO CLAY) 610mm
 9. FOR INSTALLATION, REFER TO CSA B66, BC SEWERAGE SYSTEM STANDARD PRACTICE MANUAL AND INSTALLATION GUIDELINES PUBLISHED BY PINNACLE ENVIRONMENTAL TECHNOLOGIES INC.
 10. DIMENSIONS in mm.
 11. INLET AND OUTLET ACCEPT 100mm S/D COUPLING
 12. EXTENSION FOR SERVICE ACCESS HATCHES AVAILABLE ON REQUEST.
 13. MAXIMUM EARTH COVER AS MEASURED FROM TANK TOP CENTRE LINE (NOT INCLUDING RISERS) IS 610mm.
 14. FOR HIGH WATER TABLE INSTALLATION CONTACT PINNACLE PRIOR TO ORDERING.
 15. FOR VEHICLE TRAFFIC CONTACT PINNACLE PRIOR TO ORDERING.

Drawing No:	DPC MCF 1.0-1-01	Project Title/Description MicroFAST 1.0	Pinnacle Environmental Technologies Inc. Mailing Add: P.O. Box 12112, Langley, BC, V3A 9J Location: 22867-Fraser Hwy, Langley, BC Ph: 604-514-7555 Fax: 604-514-7595 Email: info@peti.ca WebSite: www.peti.ca	
Revision No:	0			
Sheet No:	1 of 1			
Date:	12.Oct.2011	Drawn By: S. Meam	Scale: 1:50	