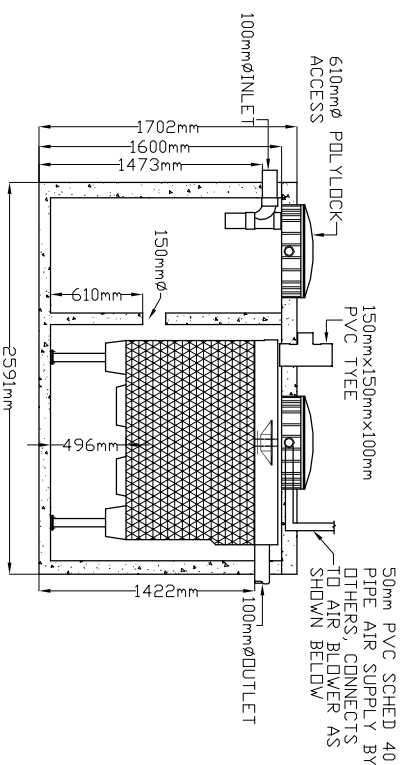
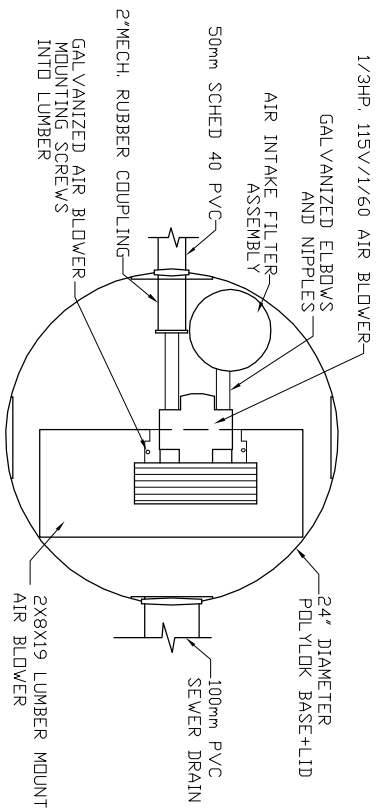


LID TOP VIEW

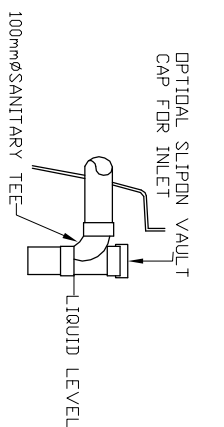


SIDE VIEW

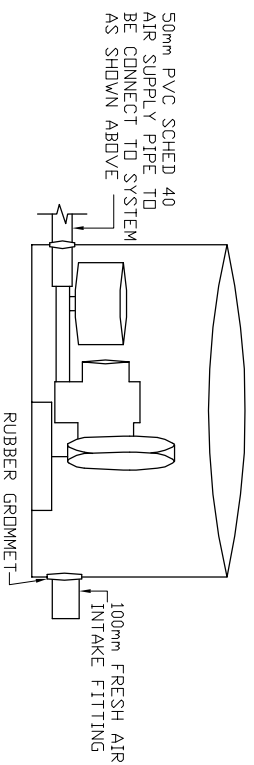
AIR BLOWER INGROUND VAULT



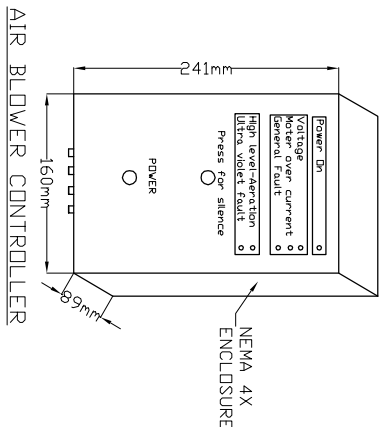
TOP VIEW
N.T.S.



INLET DETAIL
N.T.S.



ELEVATION VIEW
N.T.S.



AIR BLOWER CONTROLLER
N.T.S.

- MicroFAST® 0.9
TANK MANUFACTURED BY
DAN'S PRECAST LTD
- SYSTEM IS DELIVERED FACTORY
PRE-ASSEMBLED
1. CONCRETE TANK MANUFACTURER'S MODEL NO. 1200-IPC-2CH REFER TO MANUFACTURERS SPECIFICATION FOR TANK AND BURIAL INSTALLATION GUIDELINES
 2. OPERATING CONDITION
3.407 LITRES (900 us gals) (750 imp gals) PER DAY OF DOMESTIC RESIDENTIAL SEWAGE
 3. INFLUENT
BOD = 250 mg/l
TSS = 250 mg/l
FATS, OIL GREASES = 35 mg/l
 4. EFFLUENT (capabilities)
BOD = 10 mg/l
TSS = 10 mg/l
TOTAL NITROGEN = 70% Reduction
 5. VOLUMETRIC CAPACITY
1ST CHAMBER = 1,817 L
2ND CHAMBER = 3,638 L
6. DRY SHIPPING WEIGHT = 4,898 KG
 7. BURIAL DEPTH
MAXIMUM EARTH COVER (ND CLAY) 610mm
 8. FOR INSTALLATION, REFER TO CSA B66, BC SEWERAGE SYSTEM STANDARD PRACTICE MANUAL AND INSTALLATION GUIDELINES PUBLISHED BY PINNACLE ENVIRONMENTAL TECHNOLOGIES INC.
 9. DIMENSIONS in mm.
 10. INLET AND OUTLET ACCEPT 100mm S/D COUPLING
 11. EXTENSION FOR SERVICE ACCESS HATCHES AVAILABLE ON REQUEST.
 12. MAXIMUM EARTH COVER AS MEASURED FROM TANK TOP CENTRE LINE (NDT INCLUDING RISERS) IS 610mm.
 13. FOR HIGH WATER TABLE INSTALLATION CONTACT PINNACLE PRIOR TO ORDERING.
 14. FOR VEHICLE TRAFFIC CONTACT PINNACLE PRIOR TO ORDERING.



Pinnacle Environmental Technologies Inc.
Mailing Add: P.O. Box 12112, Langley, BC, V3A 9J
Location: 22867-FraserHwy, Langley, BC
Ph: 604-514-7555 Fx: 604-514-7595
Email: info@peti.ca
WebSite: www.peti.ca

Project Title/Description
MicroFAST 0.9

Drawn By: S. Mann
Scale: 1:50
Date: 12.Oct.2011

Drawing No: DPC MCF 0.9-2-01
Revision No: 0
Sheet No: 1 of 1

Drawing No:
Revision No:
Sheet No: