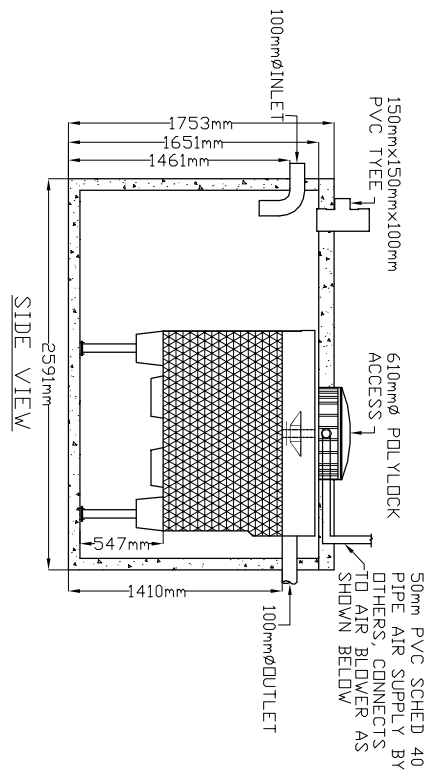
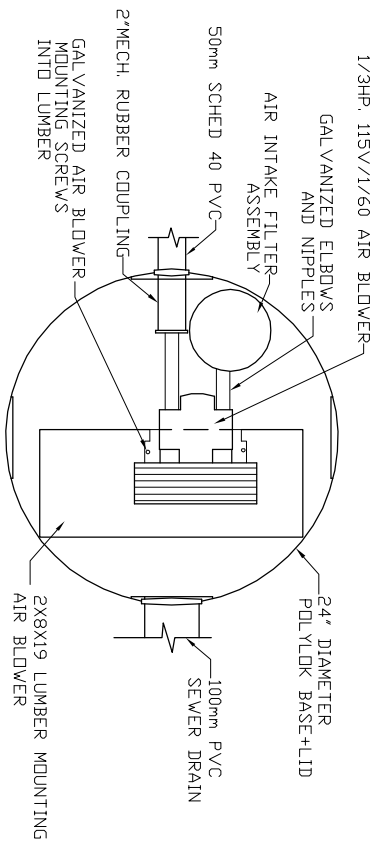


LID TOP VIEW

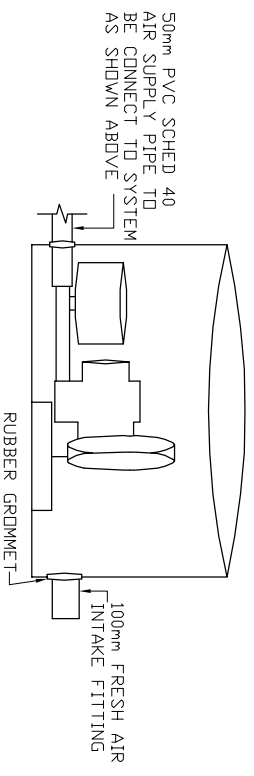


SIDE VIEW

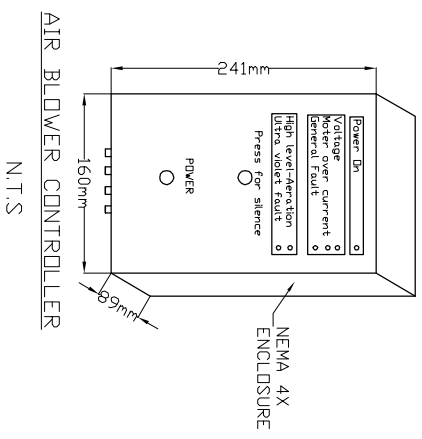
AIR BLOWER INGROUND VAULT



TOP VIEW
N.T.S



ELEVATION VIEW
N.T.S



AIR BLOWER CONTROLLER
N.T.S

- MicroFAST® 0.9**
TANK MANUFACTURED BY DAN'S PRECAST LTD SYSTEM IS DELIVERED FACTORY PRE-ASSEMBLED
- CONCRETE TANK MANUFACTURER'S MODEL NO: 1000-1PC-1CH REFER TO MANUFACTURERS SPECIFICATION FOR TANK AND BURIAL INSTALLATION GUIDELINES
 - OPERATING CONDITION 3,407 LITRES (900 us gals) (750 imp gals) PER DAY OF DOMESTIC RESIDENTIAL SEWAGE
 - TRASH COLLECTION TANK SHALL BE A MINIMUM OF 1/2 AND A MAXIMUM OF 15 TIMES THE DAILY DESIGN FLOW AND PROVIDED BY OTHERS.
 - INFLUENT
 - BOD = 250 mg/l
 - TSS = 250 mg/l
 - FATS, OIL GREASES = 35 mg/l
 - EFFLUENT (capabilities)
 - BOD = 10 mg/l
 - TSS = 10 mg/l
 - TOTAL NITROGEN = 70% Reduction
 - VOLUMETRIC CAPACITY SINGLE CHAMBER = 4,546 L
 - DRY SHIPPING WEIGHT = 4,263 kg
 - BURIAL DEPTH MAXIMUM EARTH COVER (ND CLAY) 610mm
 - FOR INSTALLATION, REFER TO CSA B66, BC SEWERAGE SYSTEM STANDARD PRACTICE MANUAL AND INSTALLATION GUIDELINES PUBLISHED BY PINNACLE ENVIRONMENTAL TECHNOLOGIES INC.
 - DIMENSIONS in mm
 - INLET AND OUTLET ACCEPT 100mm S/D COUPLING
 - EXTENSION FOR SERVICE ACCESS HATCHES AVAILABLE ON REQUEST. MAXIMUM EARTH COVER AS MEASURED FROM TANK TOP CENTRE LINE (NOT INCLUDING RISERS) IS 610mm
 - FOR HIGH WATER TABLE INSTALLATION CONTACT PINNACLE PRIOR TO ORDERING.
 - FOR VEHICLE TRAFFIC CONTACT PINNACLE PRIOR TO ORDERING.



Pinnacle Environmental Technologies Inc.
Mailing Add: P.O. Box 12112, Langley, BC
Location: 22867-Fraser Hwy, Langley, BC
Ph: 604-514-7555 Fax: 604-514-7595
Email: info@peti.ca
WebSite: www.peti.ca

Project Title/Description
MicroFAST 0.9

Drawn By: S. Meam

Scale: 1:50

Date: 12.Oct.2011

Drawing No:	DPC MCF 0.9-1-01
Revision No:	0
Sheet No:	1 of 1