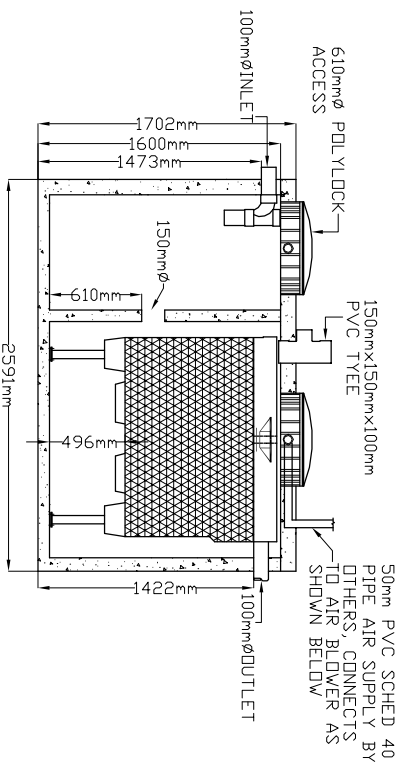
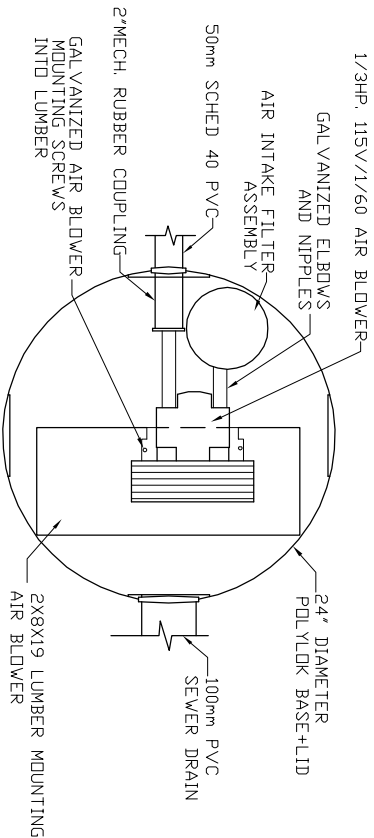


LID TOP VIEW

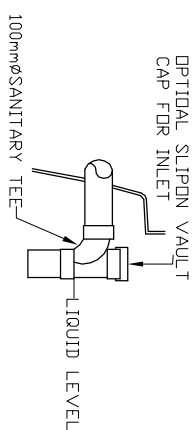


SIDE VIEW

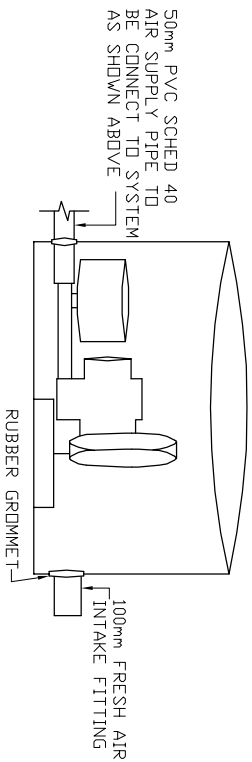
AIR BLOWER INGROUND VAULT



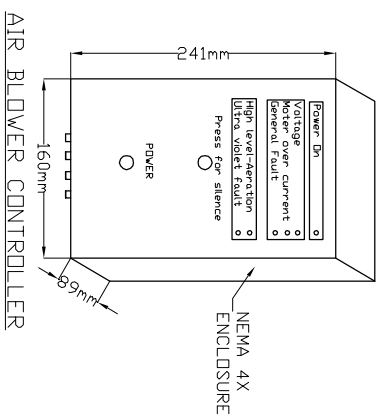
TOP VIEW
N.T.S.



INLET DETAIL
N.T.S.



ELEVATION VIEW
N.T.S.



AIR BLOWER CONTROLLER
N.T.S.

<p>MicroFAST® 0.75 TANK MANUFACTURED BY DAN'S PRECAST LTD</p>	
<p>SYSTEM IS DELIVERED FACTORY PRE-ASSEMBLED</p>	
<p>1. CONCRETE TANK MANUFACTURER'S MODEL NO. 1200-IPC-2CH REFER TO MANUFACTURER'S SPECIFICATION FOR TANK AND BURIAL INSTALLATION GUIDELINES</p>	
<p>2. OPERATING CONDITION 2.841 LITRES (750 us gals) (625 imp gals) PER DAY OF DOMESTIC RESIDENTIAL SEWAGE INFLUENT</p>	
3. INFLUENT	<p>BOD = 250 mg/l TSS = 250 mg/l FATS, OIL GREASES = 35 mg/l</p>
4. EFFLUENT (capabilities)	<p>BOD = 10 mg/l TSS = 10 mg/l TOTAL NITROGEN = 70% Reduction</p>
5. VOLUMETRIC CAPACITY	<p>1ST CHAMBER = 1,817 L 2ND CHAMBER = 3,638 L</p>
6. DRY SHIPPING WEIGHT	<p>4,264 KG</p>
7. BURIAL DEPTH	<p>MAXIMUM EARTH COVER (ND CLAY) 610mm</p>
8. FOR INSTALLATION, REFER TO CSA B66, BC SEWERAGE SYSTEM STANDARD PRACTICE MANUAL AND INSTALLATION GUIDELINES PUBLISHED BY PINNACLE ENVIRONMENTAL TECHNOLOGIES INC.	
9. DIMENSIONS in mm.	
10. INLET AND OUTLET ACCEPT 100mm S/D COUPLING	
11. EXTENSION FOR SERVICE ACCESS HATCHES AVAILABLE ON REQUEST.	
12. MAXIMUM EARTH COVER AS MEASURED FROM TANK TOP CENTRE LINE (NOT INCLUDING RISERS) IS 610mm.	
13. FOR HIGH WATER TABLE INSTALLATION CONTACT PINNACLE PRIOR TO ORDERING.	
14. FOR VEHICLE TRAFFIC CONTACT PINNACLE PRIOR TO ORDERING.	



Pinnacle Environmental Technologies Inc.
Mailing Add: P.O. Box 12112, Langley, BC
Location: 22867-FraserHwy, Langley, BC
Ph: 604-514-7555 Fx: 604-514-7595
Email: info@peti.ca
WebSite: www.peti.ca

Project Title/Description

MicroFAST 0.75

Drawn By: S. Mann

Scale: 1:50

Date: 12.Oct.2011

Drawing No:

DPC MCF 0.75-2-01

Revision No:

0

Sheet No:

1 of 1