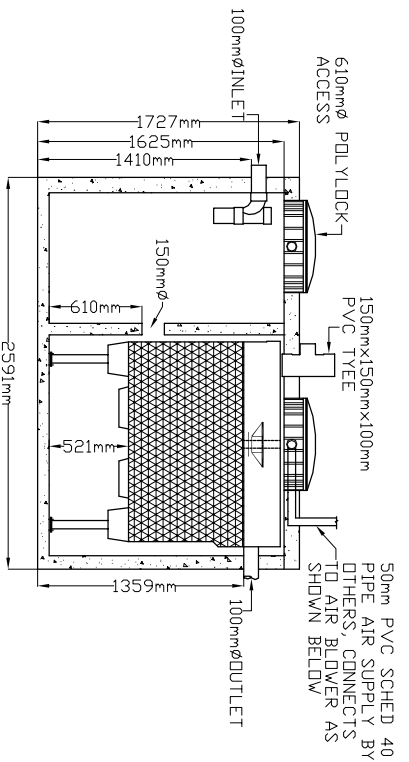
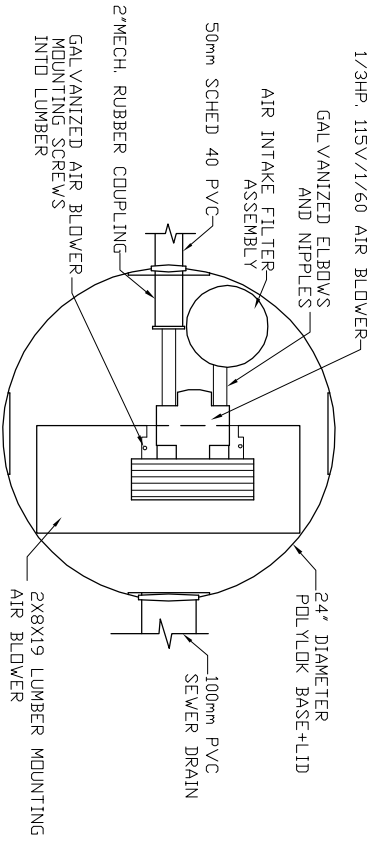


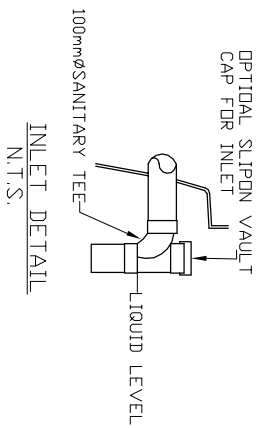
LID TOP VIEW



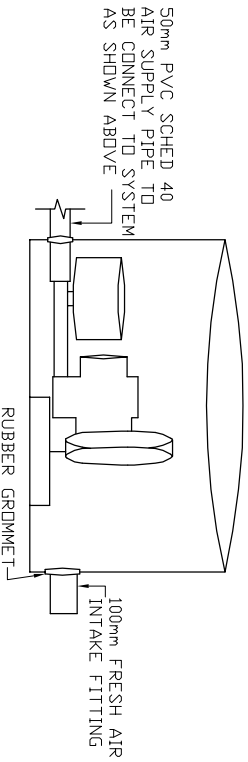
AIR BLOWER INGROUND VAULT



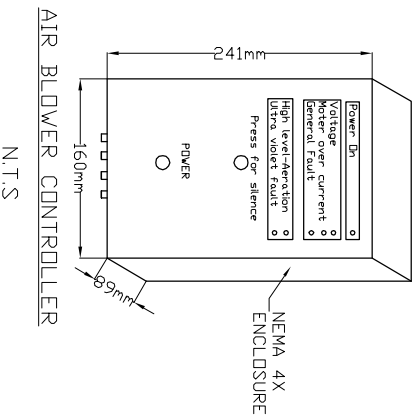
TOP VIEW  
N.T.S.



INLET DETAIL  
N.T.S.



ELEVATION VIEW  
N.T.S.



AIR BLOWER CONTROLLER  
N.T.S.

- MicroFAST® 0.6  
TANK MANUFACTURED BY  
DAN'S PRECAST LTD
- SYSTEM IS DELIVERED FACTORY  
PRE-ASSEMBLED  
1. CONCRETE TANK MANUFACTURER'S MODEL  
NO. 1000-IPC-2CH  
REFER TO MANUFACTURERS SPECIFICATION  
FOR TANK AND BURIAL  
INSTALLATION GUIDELINES
2. OPERATING CONDITION  
2,273 LITRES (600 us gals) (500 Imp gals)  
PER DAY OF DOMESTIC RESIDENTIAL SEWAGE  
INFLUENT
3. INFLUENT  
BOD = 250 mg/l  
TSS = 250 mg/l  
FATS, OIL GREASES = 35 mg/l
4. EFFLUENT (capabilities)  
BOD = 10 mg/l  
TSS = 10 mg/l  
TOTAL NITROGEN = 70% Reduction
5. VOLUMETRIC CAPACITY  
1ST CHAMBER = 1,514 L  
2ND CHAMBER = 3,032 L
6. DRY SHIPPING WEIGHT = 4,264 KG
7. BURIAL DEPTH  
MAXIMUM EARTH COVER (ND CLAY) 610mm
8. FOR INSTALLATION, REFER TO CSA B66,  
BC SEWERAGE SYSTEM STANDARD  
PRACTICE MANUAL AND INSTALLATION  
GUIDELINES PUBLISHED BY PINNACLE  
ENVIRONMENTAL TECHNOLOGIES INC.
9. DIMENSIONS in mm.
10. INLET AND OUTLET ACCEPT 100mm S/D  
COUPLING
11. EXTENSION FOR SERVICE ACCESS  
HATCHES AVAILABLE ON REQUEST.
12. MAXIMUM EARTH COVER AS MEASURED  
FROM TANK TOP CENTRE LINE  
(NOT INCLUDING RISERS) IS 610mm.
13. FOR HIGH WATER TABLE INSTALLATION  
CONTACT PINNACLE PRIOR TO  
ORDERING.
14. FOR VEHICLE TRAFFIC CONTACT PINNACLE  
PRIOR TO ORDERING.



Pinnacle Environmental Technologies Inc.  
Mailing Add: P.O. Box 12112  
Langley, BC, V3A 9J  
Ph: 604-514-7555 Fx: 604-514-7595  
Email: info@peti.ca  
WebSite: www.peti.ca

Project Title/Description

MicroFAST 0.6

Drawn By: S. Mann

Scale: 1:50

Date: 12.Oct.2011

Drawing No:

DPC MCF 0.6-2-01

Revision No:

0

Sheet No:

1 of 1