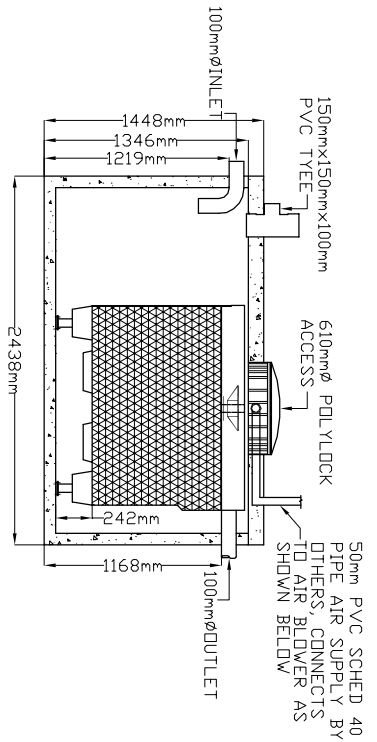
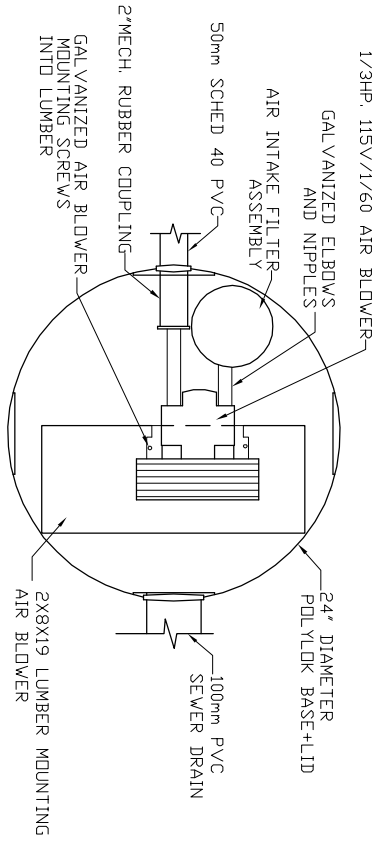


LID TOP VIEW

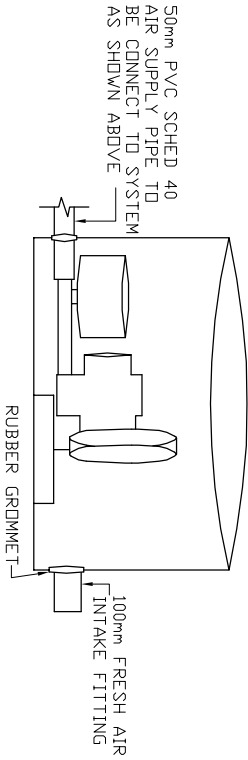


SIDE VIEW

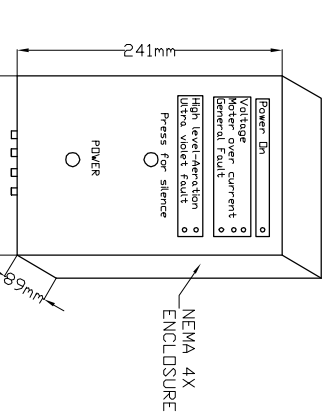
AIR BLOWER INGROUND VAULT



TOP VIEW
N.T.S



ELEVATION VIEW
N.T.S



AIR BLOWER CONTROLLER
N.T.S

- MicroFAST®0.6
TANK MANUFACTURED BY DAN'S PRECAST LTD SYSTEM IS DELIVERED FACTORY PRE-ASSEMBLED
1. CONCRETE TANK MANUFACTURERS MODEL NO: 600-1P-C-1CH REFER TO MANUFACTURERS SPECIFICATION FOR TANK AND BURIAL INSTALLATION GUIDELINES
2. OPERATING CONDITION 2,273 LITRES (600 us gals) (500 imp gals) PER DAY OF DOMESTIC RESIDENTIAL SEWAGE
3. TRASH COLLECTION TANK SHALL BE A MINIMUM OF 1/2 AND A MAXIMUM OF 1.5 TIMES THE DAILY DESIGN FLOW AND PROVIDED BY OTHERS.
4. INFLUENT
BOD = 250 mg/l
TSS = 250 mg/l
FATS, OIL GREASES = 35 mg/l
5. EFFLUENT (capabilities)
BOD = 10mg/l
TSS = 10mg/l
TOTAL NITROGEN = 70% Reduction
6. VOLUMETRIC CAPACITY SINGLE CHAMBER = 2,728 L
7. DRY SHIPPING WEIGHT 2,268 kg
8. BURIAL DEPTH MAXIMUM EARTH COVER (ND CLAY) 610mm
9. FOR INSTALLATION, REFER TO CSA B66, BC SEWERAGE SYSTEM STANDARD PRACTICE MANUAL AND INSTALLATION GUIDELINES PUBLISHED BY PINNACLE ENVIRONMENTAL TECHNOLOGIES INC.
10. DIMENSIONS in mm.
11. INLET AND OUTLET ACCEPT 100mm S/D COUPLING
12. EXTENSION FOR SERVICE ACCESS HATCHES AVAILABLE ON REQUEST.
13. MAXIMUM EARTH COVER AS MEASURED FROM TANK TOP CENTRE LINE (NOT INCLUDING RISERS) IS 610mm.
14. FOR HIGH WATER TABLE INSTALLATION CONTACT PINNACLE PRIOR TO ORDERING.
15. FOR VEHICLE TRAFFIC CONTACT PINNACLE PRIOR TO ORDERING.



Pinnacle Environmental Technologies Inc.
Mailing Add: P.O. Box 12112
Langley, BC, V3A 9J
Ph: 604-514-7555
Email: info@peti.ca
WebSite: www.peti.ca

Project Title/Description

MicroFAST 0.6

Drawn By: S. Meam

Scale: 1:50

Date: 12.Oct.2011

Drawing No: DPC MCF 0.6-1-01

Revision No: 0

Sheet No: 1 of 1