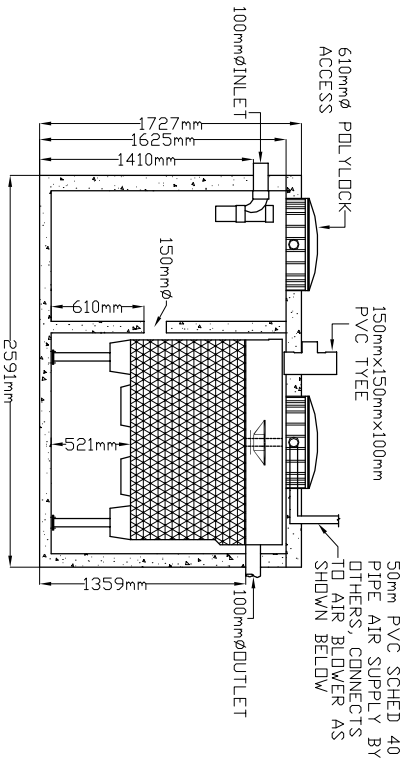
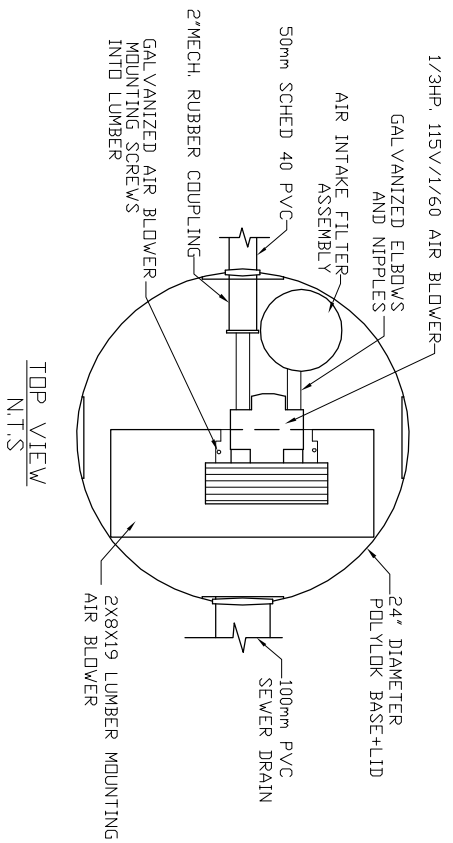


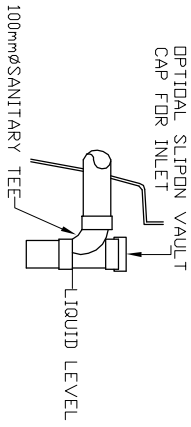
LID TOP VIEW



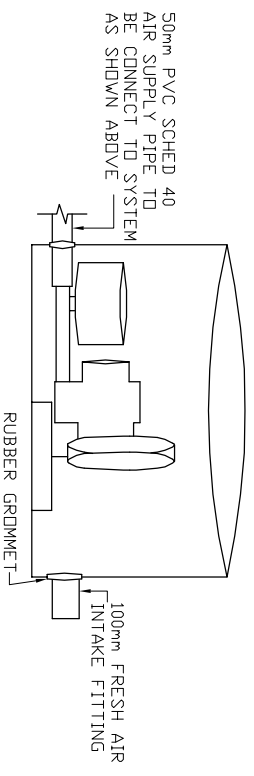
AIR BLOWER INGROUND VAULT



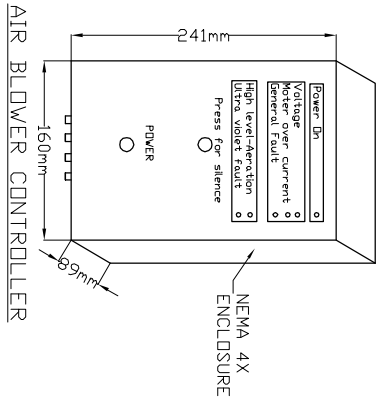
TOP VIEW N.T.S.



INLET DETAIL N.T.S.



ELEVATION VIEW N.T.S.



N.T.S.

- MicroFAST® 0.5
TANK MANUFACTURED BY
DAN'S PRECAST LTD
- SYSTEM IS DELIVERED FACTORY
PRE-ASSEMBLED
CONCRETE TANK MANUFACTURER'S MODEL
NO: 1000-IPC-2CH
REFER TO MANUFACTURERS SPECIFICATION
FOR TANK AND BURIAL
INSTALLATION GUIDELINES
- OPERATING CONDITION
1,900 LITRES (500 us gals) (416 imp gals)
PER DAY OF DOMESTIC RESIDENTIAL SEWAGE
INFLUENT
 - BOD = 250 mg/l
TSS = 250 mg/l
FATS, OIL GREASES = 35 mg/l
 - EFFLUENT (capabilities)
BOD = 10 mg/l
TSS = 10 mg/l
TOTAL NITROGEN = 70% Reduction
 - VOLUMETRIC CAPACITY
1ST CHAMBER = 1,514 L
2ND CHAMBER = 3,032 L
DRY SHIPPING WEIGHT = 4,264 kg
 - BURIAL DEPTH
MAXIMUM EARTH COVER (ND CLAY) 610mm
 - FOR INSTALLATION, REFER TO CSA B66,
BC SEWERAGE SYSTEM STANDARD
PRACTICE MANUAL AND INSTALLATION
GUIDELINES PUBLISHED BY PINNACLE
ENVIRONMENTAL TECHNOLOGIES INC.
 - DIMENSIONS in mm.
 - INLET AND OUTLET ACCEPT 100mm S/D
COUPLING
 - EXTENSION FOR SERVICE ACCESS
HATCHES AVAILABLE ON REQUEST.
 - MAXIMUM EARTH COVER AS MEASURED
FROM TANK TOP CENTRE LINE
(NOT INCLUDING RISERS) IS 610mm.
 - FOR HIGH WATER TABLE INSTALLATION
CONTACT PINNACLE PRIOR TO
ORDERING.
 - FOR VEHICLE TRAFFIC CONTACT PINNACLE
PRIOR TO ORDERING.



Pinnacle Environmental Technologies Inc.
Mailing Add: P.O. Box 12112
Langley, BC, V3A 9J
Ph: 604-514-7555 Fx: 604-514-7595
Email: info@peti.ca
WebSite: www.peti.ca

Drawing Title:	DPC MCF 0.5-2-01	Project Title/Description	MicroFAST 0.5
Revision No:	0	Drawn By: S. Meam	Scale: 1:50
Sheet No:	1 of 1	Date: 12.Oct.2011	