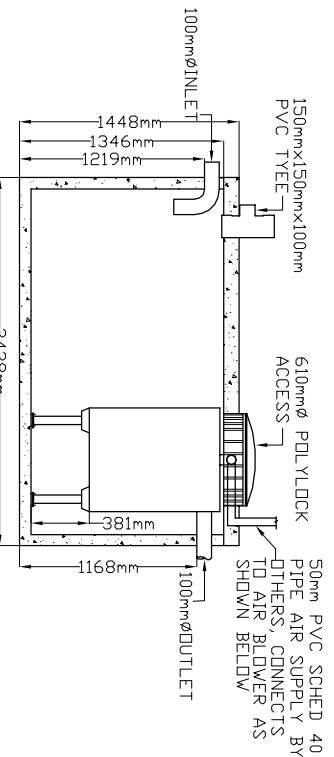
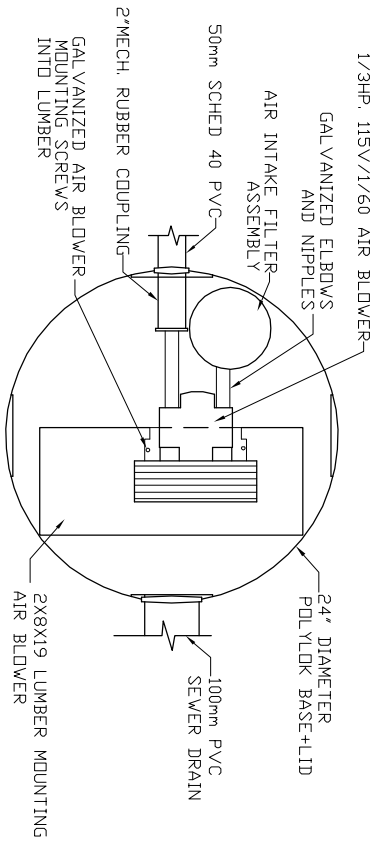


LID TOP VIEW

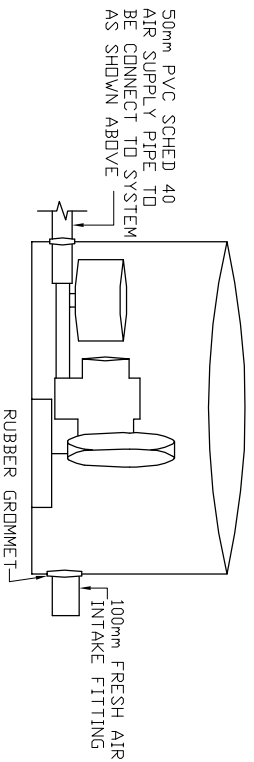


SIDE VIEW

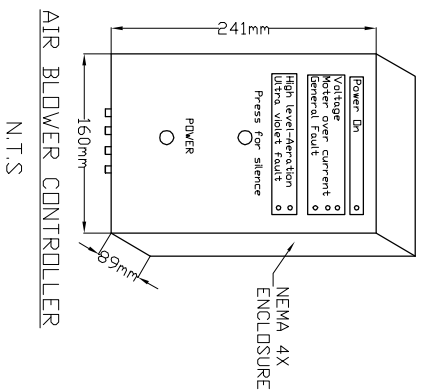
AIR BLOWER INGROUND VAULT



TOP VIEW  
N.T.S



ELEVATION VIEW  
N.T.S



- MicroFAST® 0.375  
TANK MANUFACTURED BY  
DAN'S PRECAST LTD  
SYSTEM IS DELIVERED FACTORY  
PRE-ASSEMBLED  
1. CONCRETE TANK MANUFACTURER'S MODEL  
NO: 600-1PC-1CH  
REFER TO MANUFACTURERS SPECIFICATION  
FOR TANK AND BURIAL  
INSTALLATION GUIDELINES
2. OPERATING CONDITION  
1,420 LITRES (375 us gals) 312 Imp gals)  
PER DAY OF DOMESTIC RESIDENTIAL SEWAGE
3. TRASH COLLECTION TANK  
SHALL BE A MINIMUM OF 1/2 AND A MAXIMUM  
OF 1.5 TIMES THE DAILY DESIGN FLOW AND  
PROVIDED BY OTHERS.
4. INFLUENT  
BOD = 250 mg/l  
TSS = 250 mg/l  
FATS, OIL GREASES = 35 mg/l
5. EFFLUENT (capabilities)  
BOD = 10 mg/l  
TSS = 10 mg/l  
TOTAL NITROGEN = 70% Reduction
6. VOLUMETRIC CAPACITY  
SINGLE CHAMBER = 2,728 L
7. DRY SHIPPING WEIGHT  
2,223 kg
8. BURIAL DEPTH  
MAXIMUM EARTH COVER (ND CLAY) 610mm
9. FOR INSTALLATION, REFER TO CSA B66,  
BC SEWERAGE SYSTEM STANDARD  
PRACTICE MANUAL AND INSTALLATION  
GUIDELINES PUBLISHED BY PINNACLE  
ENVIRONMENTAL TECHNOLOGIES INC.
10. DIMENSIONS in mm:
11. INLET AND OUTLET ACCEPT 100mm S/D  
COUPLING
12. EXTENSION FOR SERVICE ACCESS  
HATCHES AVAILABLE ON REQUEST.
13. MAXIMUM EARTH COVER AS MEASURED  
FROM TANK TOP CENTRE LINE  
(NOT INCLUDING RISERS) IS 610mm.
14. FOR HIGH WATER TABLE INSTALLATION  
CONTACT PINNACLE PRIOR TO  
ORDERING.
15. FOR VEHICLE TRAFFIC CONTACT PINNACLE  
PRIOR TO ORDERING.



Pinnacle Environmental Technologies Inc.  
Mailing Add: P.O. Box 12112  
Langley, BC, V3A 9J  
Ph: 604-514-7555  
Email: info@peti.ca  
WebSite: www.peti.ca

Drawing No:	DPC MCF 0.375-1-01	Project Title/Description	MicroFAST 0.375
Revision No:	0	Drawn By: S. Mann	
Sheet No:	1 of 1	Scale: 1:50	
		Date: 12.Oct.2011	