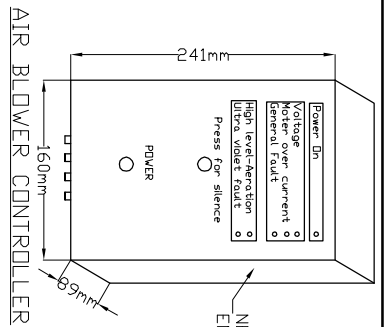
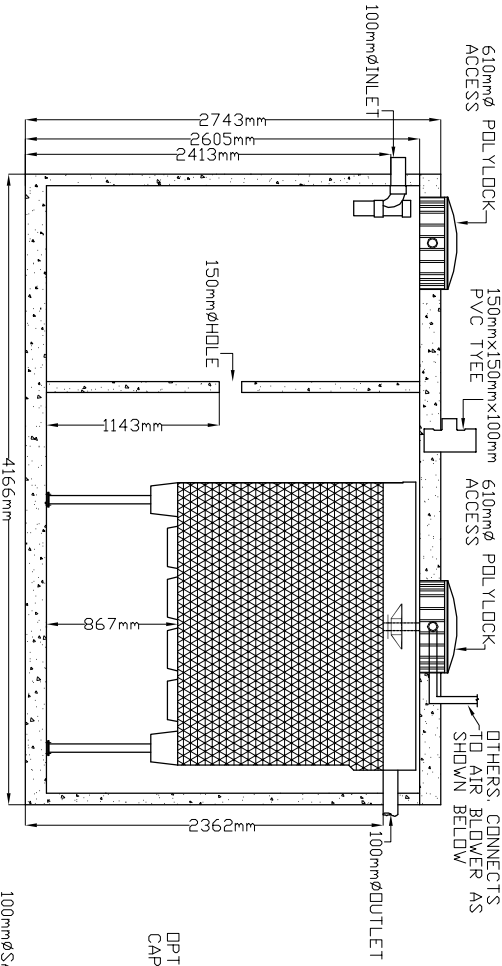


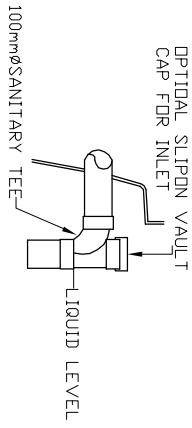
LID TOP VIEW



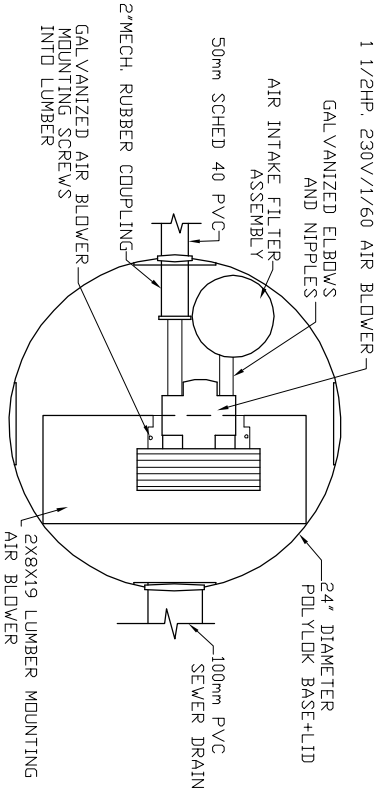
N.T.S.



SIDE VIEW

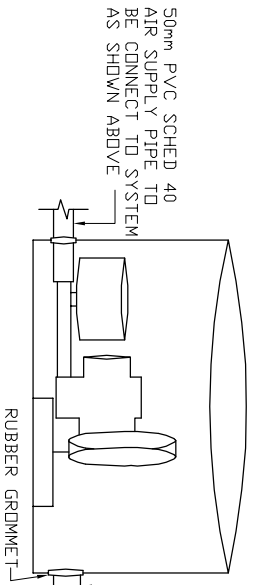


N.T.S.



AIR BLOWER INGROUND VAULT TOP VIEW

N.T.S.



ELEVATION VIEW

N.T.S.

- MICROFAST® 3.0**
TANK MANUFACTURED BY
ABC PRECAST INC
- SYSTEM IS DELIVERED FACTORY
PRE-ASSEMBLED
1. CONCRETE TANK MANUFACTURER'S MODEL
NDI: 4000-2PC-2CH
REFER TO MANUFACTURERS SPECIFICATION
FOR TANK AND BURIAL
INSTALLATION GUIDELINES
 2. OPERATING CONDITION
11,365 LITRES (3000us gals) (2500 imp gals)
PER DAY OF DOMESTIC RESIDENTIAL SEWAGE
INFLUENT
 3. INFLUENT
BOD = 250 mg/l
TSS = 250 mg/l
FATS, OIL GREASES = 35 mg/l
 4. EFFLUENT (capabilities)
BOD = 10 mg/l
TSS = 10 mg/l
TOTAL NITROGEN = 70% Reduction
 5. VOLUMETRIC CAPACITY
1ST CHAMBER = 6,055 L
2ND CHAMBER = 12,129 L
6. DRY SHIPPING WEIGHT = 18,143 kg
 7. BURIAL DEPTH
MAXIMUM EARTH COVER (ND CLAY) 610mm
 8. FOR INSTALLATION, REFER TO CSA B66,
BC SEWERAGE SYSTEM STANDARD
PRACTICE MANUAL AND INSTALLATION
GUIDELINES PUBLISHED BY PINNACLE
ENVIRONMENTAL TECHNOLOGIES INC.
 9. DIMENSIONS in mm.
 10. INLET AND OUTLET ACCEPT 100mm S/D
COUPLING
 11. EXTENSION FOR SERVICE ACCESS
HATCHES AVAILABLE ON REQUEST.
 12. MAXIMUM EARTH COVER AS MEASURED
FROM TANK TOP CENTRE LINE
(NOT INCLUDING RISERS) IS 610mm.
 13. FOR HIGH WATER TABLE INSTALLATION
CONTACT PINNACLE PRIOR TO
ORDERING.
 14. FOR VEHICLE TRAFFIC CONTACT PINNACLE
PRIOR TO ORDERING.

Drawing No:	ABC MCF 3.0-2-02	Project Title/Description	Pinnacle Environmental Technologies Inc. Mailing Add: 22867-FraserHwy, P.O. Box 12112 Langley, BC Ph: 604-514-7555 Fax: 604-514-7595 Email: info@peti.ca WebSite: www.peti.ca	
Revision No:	0			
Sheet No:	1 of 1	Drawn By: S.MANN		
		Scale: 1:50		
		Date: 12.Oct.2011		