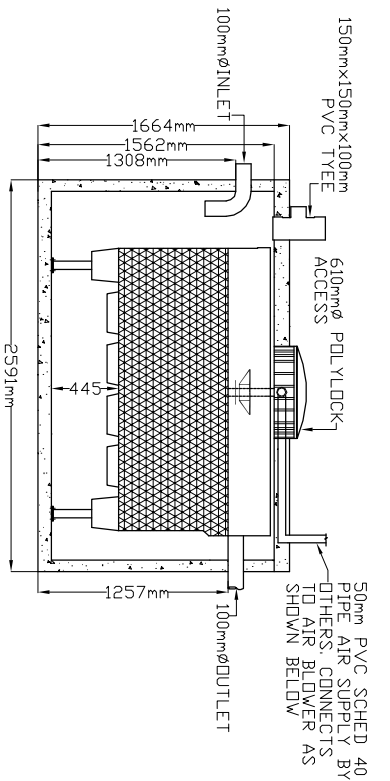
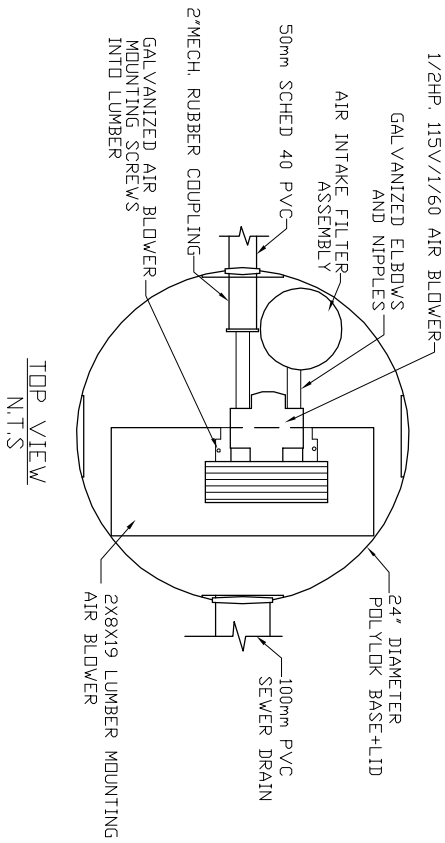


LID TOP VIEW

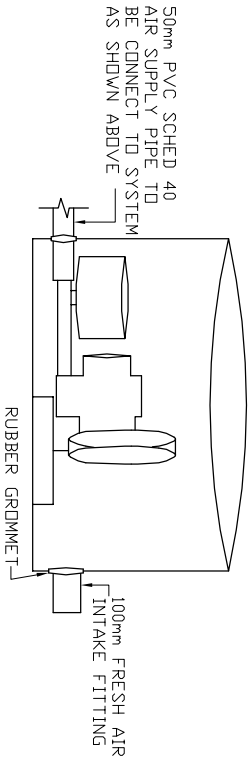


SIDE VIEW

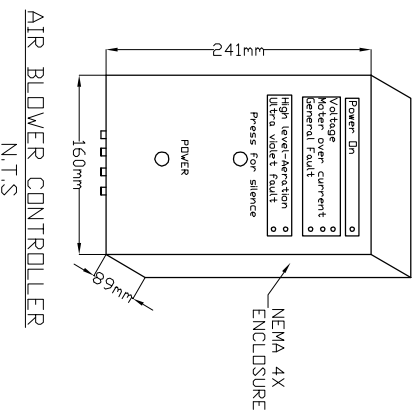
AIR BLOWER INGROUND VAULT



TOP VIEW
N.T.S



ELEVATION VIEW
N.T.S



AIR BLOWER CONTROLLER
N.T.S

<p>MicroFAST®1.5 TANK MANUFACTURED BY ABC PRECAST INC SYSTEM IS DELIVERED FACTORY PRE-ASSEMBLED</p>	
<p>1. CONCRETE TANK MANUFACTURER'S MODEL NO: 1500-IPC-1CH REFER TO MANUFACTURER'S SPECIFICATION FOR TANK AND BURIAL INSTALLATION GUIDELINES</p>	
<p>2. OPERATING CONDITION 5,678 LITRES (1500 us gals) (1250 imp gals) PER DAY OF DOMESTIC RESIDENTIAL SEWAGE TRASH COLLECTION TANK</p>	
<p>3. SHALL BE A MINIMUM OF 1/2 AND A MAXIMUM OF 1.5 TIMES THE DAILY DESIGN FLOW AND PROVIDED BY OTHERS.</p>	
4. INFLUENT	<p>BOD = 250 mg/l TSS = 250 mg/l FATS, OIL GREASES = 35 mg/l</p>
5. EFFLUENT (capabilities)	<p>BOD = 10 mg/l TSS = 10 mg/l TOTAL NITROGEN = 70% Reduction</p>
6. VOLUMETRIC CAPACITY SINGLE CHAMBER	= 6,819 L
7. DRY SHIPPING WEIGHT	6,150 kg
8. BURIAL DEPTH	MAXIMUM EARTH COVER (NO CLAY) 610mm
9. FOR INSTALLATION, REFER TO CSA B66, BC SEWERAGE SYSTEM STANDARD PRACTICE MANUAL AND INSTALLATION GUIDELINES PUBLISHED BY PINNACLE ENVIRONMENTAL TECHNOLOGIES INC.	
10. DIMENSIONS in mm.	
11. INLET AND OUTLET ACCEPT 100mm S/D COUPLING	
12. EXTENSION FOR SERVICE ACCESS HATCHES AVAILABLE ON REQUEST.	
13. MAXIMUM EARTH COVER AS MEASURED FROM TANK TOP CENTRE LINE (NOT INCLUDING RISERS) IS 610mm.	
14. FOR HIGH WATER TABLE INSTALLATION CONTACT PINNACLE PRIOR TO ORDERING.	
15. FOR VEHICLE TRAFFIC CONTACT PINNACLE PRIOR TO ORDERING.	

Drawing Title:	ABC MCF 1.5-1-01	Project Title/Description	MicroFAST 1.5	<p>Pinnacle Environmental Technologies Inc. Mailing Add: P.O. Box 12112 Langley, BC, V3A 9J Ph: 604-514-7555 Fax: 604-514-7595 Email: info@peti.ca WebSite: www.peti.ca</p>
Revision No:	0	Drawn By:	S. Mann	
Sheet No:	1 of 1	Date:	12.Oct.2011	

