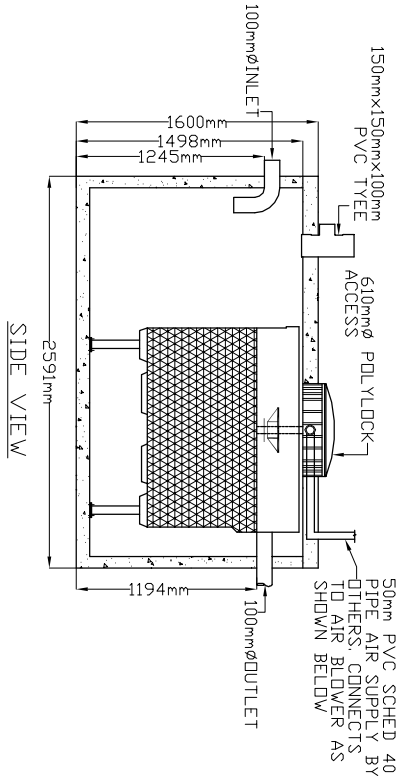
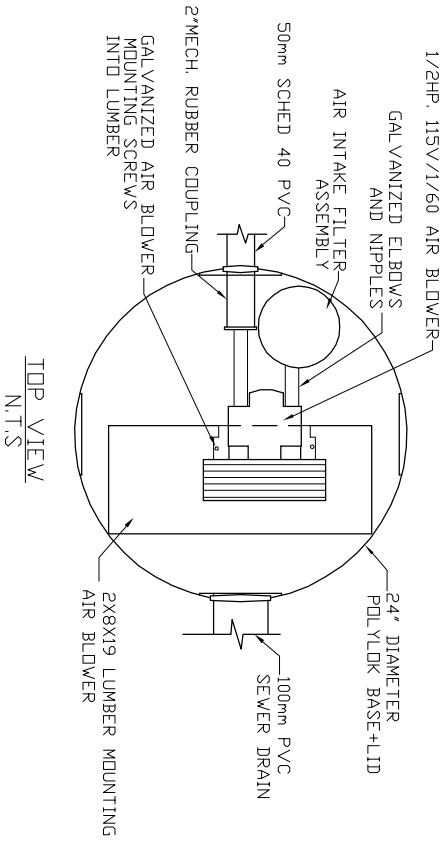


LID TOP VIEW

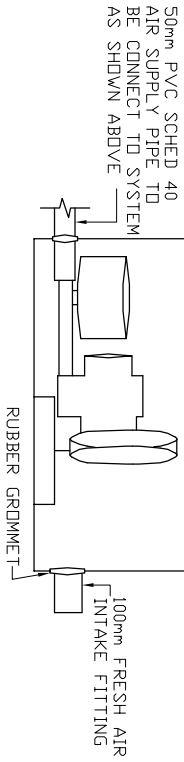


SIDE VIEW

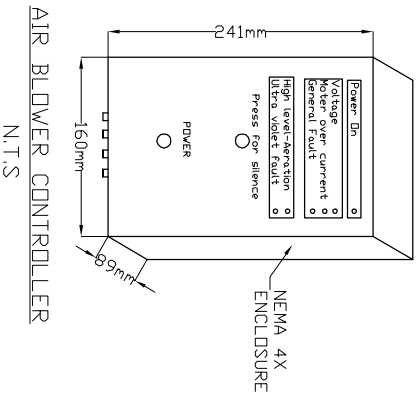
AIR BLOWER INGROUND VAULT



TOP VIEW  
N.T.S



ELEVATION VIEW  
N.T.S



<p>MicroFAST®1.0 TANK MANUFACTURED BY ABC PRECAST INC SYSTEM IS DELIVERED FACTORY PRE-ASSEMBLED CONCRETE TANK MANUFACTURER'S MODEL NG-1000-1PC-1CH REFER TO MANUFACTURER'S SPECIFICATION FOR TANK AND BURIAL INSTALLATION GUIDELINES</p>	
2.	OPERATING CONDITION
3.	3,791 LITRES (1000 us gals) (834 imp gals) PER DAY OF DOMESTIC RESIDENTIAL SEWAGE TRASH COLLECTION TANK
<p>SHALL BE A MINIMUM OF 1/2 AND A MAXIMUM OF 1.5 TIMES THE DAILY DESIGN FLOW AND PROVIDED BY OTHERS.</p>	
4.	INFLUENT
	BOD = 250 mg/l
	TSS = 250 mg/l
	FATS, OIL GREASES = 35 mg/l
5.	EFFLUENT (capabilities)
	BOD = 10 mg/l
	TSS = 10 mg/l
	TOTAL NITROGEN = 70% Reduction
6.	VOLUMETRIC CAPACITY
7.	SINGLE CHAMBER = 4,546 L
8.	DRY SHIPPING WEIGHT = 3,650 kg
9.	BURIAL DEPTH = MAXIMUM EARTH COVER (ND CLAY) 610mm
10.	FOR INSTALLATION, REFER TO CSA B66, BC SEWERAGE SYSTEM STANDARD PRACTICE MANUAL AND INSTALLATION GUIDELINES PUBLISHED BY PINNACLE ENVIRONMENTAL TECHNOLOGIES INC.
11.	DIMENSIONS in mm.
12.	INLET AND OUTLET ACCEPT 100mm S/D COUPLING
13.	EXTENSION FOR SERVICE ACCESS HATCHES AVAILABLE ON REQUEST.
14.	MAXIMUM EARTH COVER AS MEASURED FROM TANK TOP CENTRE LINE (NOT INCLUDING RISERS) IS 610mm.
15.	FOR HIGH WATER TABLE INSTALLATION CONTACT PINNACLE PRIOR TO ORDERING.
16.	FOR VEHICLE TRAFFIC CONTACT PINNACLE PRIOR TO ORDERING.



Pinnacle Environmental Technologies Inc.  
Mailing Add: P.O. Box 12112, Langley, BC  
Location: 22867-FraserHwy, Langley, BC  
Ph: 604-514-7555 Fax: 604-514-7595  
Email: info@peti.ca  
WebSite: www.peti.ca

Project Title/Description  
MicroFAST 1.0

Drawn By: S. Mann

Scale: 1:50

Date: 12.Oct.2011

Drawing No:	ABC MCF 1.0-1-01
Revision No:	0
Sheet No:	1 of 1