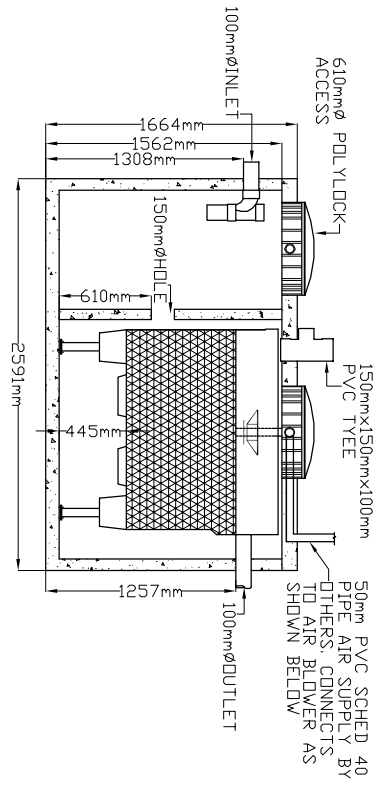
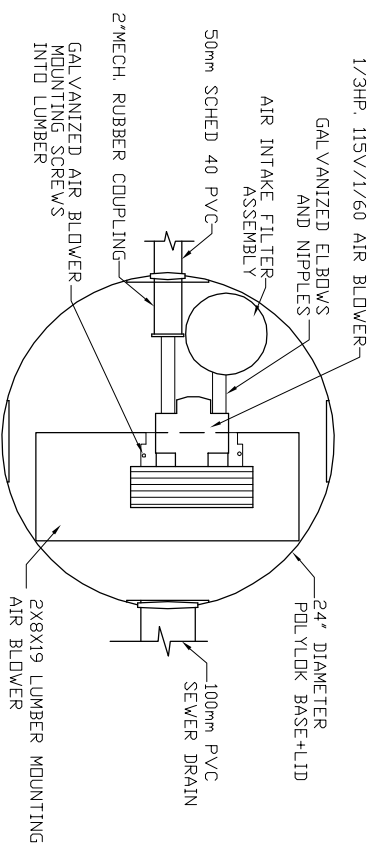


LID TOP VIEW

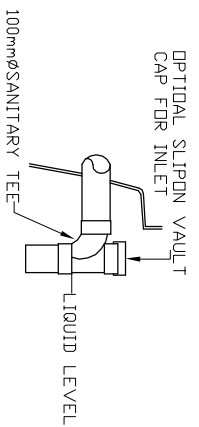


SIDE VIEW

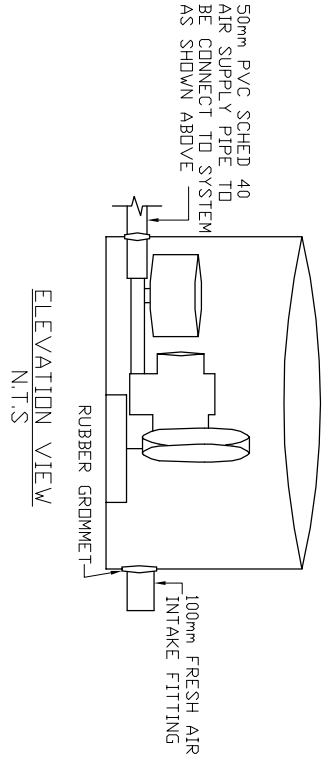
AIR BLOWER INGROUND VAULT



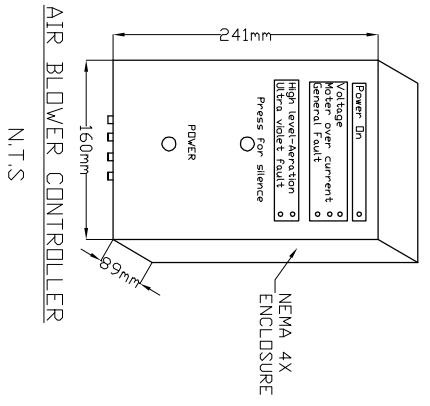
TOP VIEW  
N.T.S.



INLET DETAIL  
N.T.S.




ELEVATION VIEW  
N.T.S.



AIR BLOWER CONTROLLER  
N.T.S.

- MicroFAST®0.9  
TANK MANUFACTURED BY  
ABC PRECAST INC
- SYSTEM IS DELIVERED FACTORY PRE-ASSEMBLED
1. CONCRETE TANK MANUFACTURERS MODEL NO: 1200-IPC-2CH REFER TO MANUFACTURERS SPECIFICATION FOR TANK AND BURIAL INSTALLATION GUIDELINES
  2. OPERATING CONDITION  
3,407 LITRES (900us gals) (750 Imp gals) PER DAY OF DOMESTIC RESIDENTIAL SEWAGE
  3. INFLUENT  
BOD = 250 mg/l  
TSS = 230 mg/l  
FAIS, OIL GREASES = 35 mg/l
  4. EFFLUENT (capabilities)  
BOD = 10 mg/l  
TSS = 10 mg/l  
TOTAL NITROGEN = 70% Reduction
  5. VOLUMETRIC CAPACITY  
1ST CHAMBER = 1,816 L  
2ND CHAMBER = 7,271 L
  6. DRY SHIPPING WEIGHT  
6,150 kg
  7. BURIAL DEPTH  
MAXIMUM EARTH COVER (ND CLAY) 610mm
  8. FOR INSTALLATION, REFER TO CSA B66, BC SEWERAGE SYSTEM STANDARD PRACTICE MANUAL AND INSTALLATION GUIDELINES PUBLISHED BY PINNACLE ENVIRONMENTAL TECHNOLOGIES INC.
  9. DIMENSIONS in mm.
  10. INLET AND OUTLET ACCEPT 100mm S/D COUPLING
  11. EXTENSION FOR SERVICE ACCESS HATCHES AVAILABLE ON REQUEST.
  12. MAXIMUM EARTH COVER AS MEASURED FROM TANK TOP CENTRE LINE (NOT INCLUDING RISERS) IS 610mm.
  13. FOR HIGH WATER TABLE INSTALLATION CONTACT PINNACLE PRIOR TO ORDERING.
  14. FOR VEHICLE TRAFFIC CONTACT PINNACLE PRIOR TO ORDERING.

Drawing Title:	ABC MCF 0.9-2-01	Project Title/Description  MicroFAST 0.9	Pinnacle Environmental Technologies Inc. Mailing Add: P.O. Box 12112 Langley, BC, V3A 9J Ph: 604-514-7555 Fax: 604-514-7595 Email: info@peti.ca WebSite: www.peti.ca		
Revision No:	0				
Sheet No:	1 of 1				
Drawn By:	S. Mann	Scale:	1:50	Date:	12.Oct.2011